

TECEprofil toilet module with Uni cistern, installation height 820 mm

Article number: 9300301

DU 1: 1 pc.
DU 2: 10 pc.
DU 3: 20 pc.

Description:

Toilet module including "easy fit" flush plate installation and conduit to connect electronic shower toilets. For attaching to TECEprofil section tubes or as pre-wall or corner modules.

Uni cistern for front or top actuation:

- Safety tank made of impact-resistant plastic, tested to EN 14055
- Cistern fully pre-assembled and sealed
- Cistern connection with outer thread R 1/2" at the side, compatible with quick adapters
- 10 litre tank volume; 6 litre pre-set standard flush volume, 4.5/7.5/9-litre flush volume can be set at any time; 3-litre partial flush volume for dual-flush system; remaining volume can be used for immediate cleaning flush.
- Insulated against condensation water
- For TECE flush plates and toilet flush handle
- Can be used as a single or dual-flush cistern
- "easy fit" flush plate installation
- Installation tunnel for service opening, can be shortened without tools
- Low-noise hydraulic filling valve, fitting group 1 according to DIN 4109
- Flow control throttle without removing the drain valve

Module frame:

- Self-supporting, powder-coated
- Two M 12 retaining bolts and nuts
- Toilet drain bend DN 90 with joint adapter DN 90/100, made of PP
- Joint adapter also suitable for horizontal installation
- Toilet connection set DN 90
- WC connection box including shell protection and conduit for universal shower WC connection (check position), with junction box and cover for transformer.

Please order separately:

- Toilet flush plate (see flush plates)
- Insert chute for cleaning tablets (optional, front actuation only)
- TECE upgrade set dry-wall for TECE shower toilets (optional)

Note:

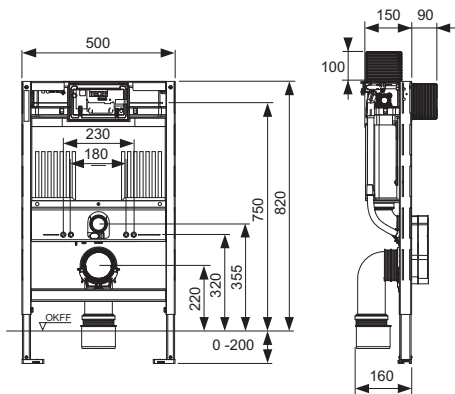
If toilet ceramics with a reduced supporting surface are used (= distance from middle of fixing bolt to lower edge of supporting surface is not larger than 18 cm) - e.g. V & B Memento, Subway 2.0 - it is necessary to install the steel brace set 9041029 in the lower build space.

Caution:

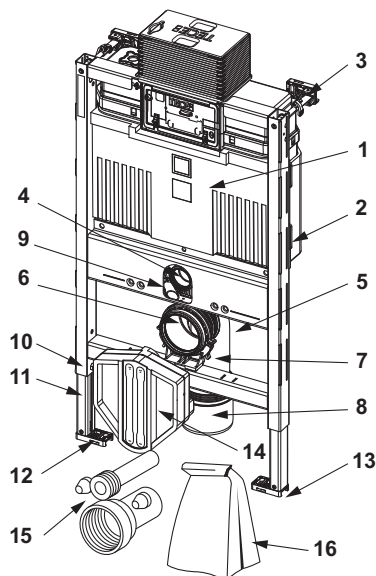
If the flush plate is fitted in front of cisterns with low installation height and a compact ceramic is used, the toilet lid may occasionally drop down unintentionally. When using compact ceramics fit the flush plate with top actuation only.

Sales data:

Product name: TECEprofil toilet module with Uni cistern, installation height 820 mm
 Commodity group: 905
 Product group: 2009050010



Spare parts:



- | | | |
|----|---------|--|
| 1 | 9820100 | Uni cistern 820 mm |
| 2 | 9820040 | Assembly kit for Uni cistern |
| 3 | 9380014 | Module attachment with quick closure |
| 4 | 9820015 | Flush pipe seal |
| 5 | 9820134 | Toilet drain bend DN 90 (PP) |
| 6 | 9820139 | Seal for drain bend DN 90 |
| 7 | 9820348 | Toilet drain bend holder complete, mounting on cross-beam at bottom (from 04/2017) |
| 8 | 9820136 | Toilet connector, DN 90/100, PP |
| 9 | 9820569 | Attachment clips and conduit |
| 10 | 9820447 | Foot brake with steel spring |
| 11 | 9820335 | C-section for module foot |
| 12 | 9820332 | Module foot with toggle left |
| 13 | 9820333 | Module foot with toggle right |
| 14 | 9820568 | WC connection box |
| 15 | 9820057 | Toilet connection set, DN 90 |
| 16 | 9820043 | By-pack for toilet module |