

TECEprofil toilet module with Uni cistern, installation height 1120 mm

Article number: 9300300

DU 1: 1 pc.
DU 2: 10 pc.
DU 3: 20 pc.

Description:

Toilet module including “easy fit” flush plate installation and conduit to connect electronic shower toilets. For fitting to TECEprofil section tubes or for installation in metal or wooden stud walls and as a pre-wall or corner module; also suitable for single block assembly.

Uni cistern for front actuation:

- Safety tank made of impact-resistant plastic, tested to EN 14055
- Cistern fully pre-assembled and sealed
- Cistern connection with outer thread R 1/2" at the side, compatible with quick adapters
- 10 litre tank volume; 6 litre pre-set standard flush volume, 4.5/7.5/9-litre flush volume can be set at any time; 3-litre partial flush volume for dual-flush system; remaining volume can be used for immediate cleaning flush.
- Insulated against condensation water
- For TECE flush plates and toilet flush handle
- Can be used as a single or dual-flush cistern
- “easy fit” flush plate installation
- Installation tunnel for service opening, can be shortened without tools
- Low-noise hydraulic filling valve, fitting group 1 according to DIN 4109
- Flow control throttle without removing the drain valve

Module frame:

- Self-supporting, powder-coated
- Two M 12 retaining bolts and nuts
- Toilet drain bend DN 90 with joint adapter DN 90/100, made of PP
- Joint adapter also suitable for horizontal installation
- Toilet connection set DN 90
- WC connection box including shell protection and conduit for universal shower WC connection (check position), with junction box and cover for transformer.

A raised ceramic attachment for a sitting height of 48 cm can be added in keeping with German standard DIN 18040 (DIN 18040: Barrier-free construction - Part 1: Publicly accessible buildings and workplaces).

Please order separately:

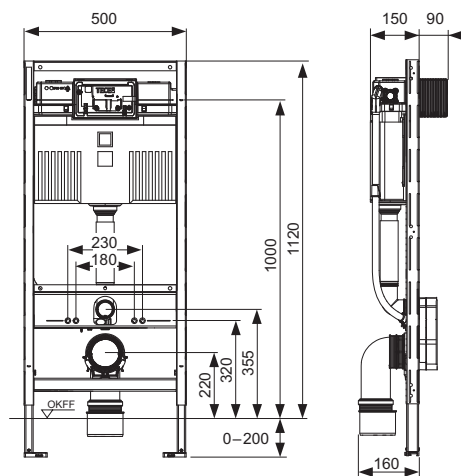
- Toilet flush plate (see flush plates)
- Fitting for pre-wall, corner or wooden stud wall structures
- Insert chute for cleaning tablets (optional)
- TECE upgrade set dry-wall for TECE shower toilets (optional)

Note:

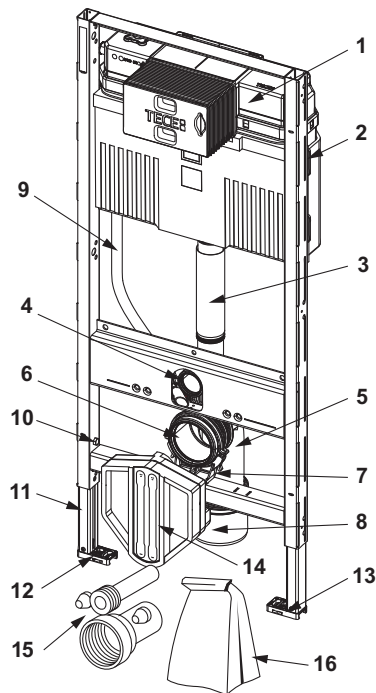
If toilet ceramics with a reduced supporting surface are used (= distance from middle of fixing bolt to lower edge of supporting surface is not larger than 18 cm) - e.g. V & B Memento, Subway 2.0 - it is necessary to install the steel brace set 904 1029 in the lower build space.

Sales data:

Product name: TECEprofil toilet module with Uni cistern, installation height 1120 mm
Commodity group: 905
Product group: 2009050010



Spare parts:



- | | | |
|----|---------|--|
| 1 | 9820103 | Uni cistern 1120 mm |
| 2 | 9820040 | Assembly kit for Uni cistern |
| 3 | 9820011 | Flush pipe with O-ring, length 269 mm, dry-wall construction |
| 4 | 9820015 | Flush pipe seal |
| 5 | 9820134 | Toilet drain bend DN 90 (PP) |
| 6 | 9820139 | Seal for drain bend DN 90 |
| 7 | 9820348 | Toilet drain bend holder complete, mounting on cross-beam at bottom (from 04/2017) |
| 8 | 9820136 | Toilet connector, DN 90/100, PP |
| 9 | 9820569 | Attachment clips and conduit |
| 10 | 9820447 | Foot brake with steel spring |
| 11 | 9820335 | C-section for module foot |
| 12 | 9820332 | Module foot with toggle left |
| 13 | 9820333 | Module foot with toggle right |
| 14 | 9820568 | WC connection box |
| 15 | 9820057 | Toilet connection set, DN 90 |
| 16 | 9820043 | By-pack for toilet module |