

AXOR Citterio M

Bath thermostat for exposed installation

Finish: **Brushed Gold Optic** Article Number: **34435250**



product features

- projection 180 mm
- 2 functions
- thermostat cartridge, shut-off/ diverter valve
- spray type spout: normal spray
- maximum flow rate at 3 bar: 21 l/min
- flow rate for bath spout at 3 bar: 21 l/min
- flow rate of hand shower at 3 bar: 17 l/min
- min. operating pressure: 1 bar
- max. operating pressure: 10 bar
- Safety stop at 40 °C
- temperature limitation adjustable
- non-return valve
- with silencer
- connection dimension: DN15
- connection type: s-shaped connections
- centre distance: 150 ± 12 mm

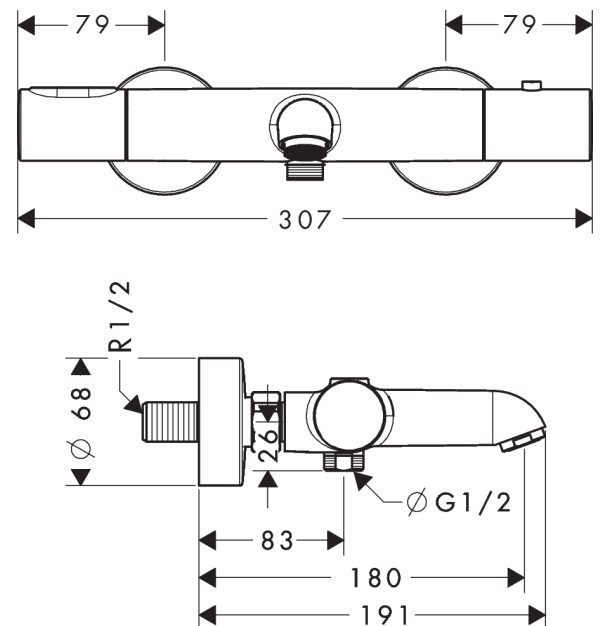
Technology



Product image



Scale drawing



AXOR Citterio M
Bath thermostat for exposed installation
 Finish: **Brushed Gold Optic** Article Number: **34435250**



Flowchart

