

## Design trap Flowstar set

Finish: **Chrome** Article Number: **52120000**



### Description

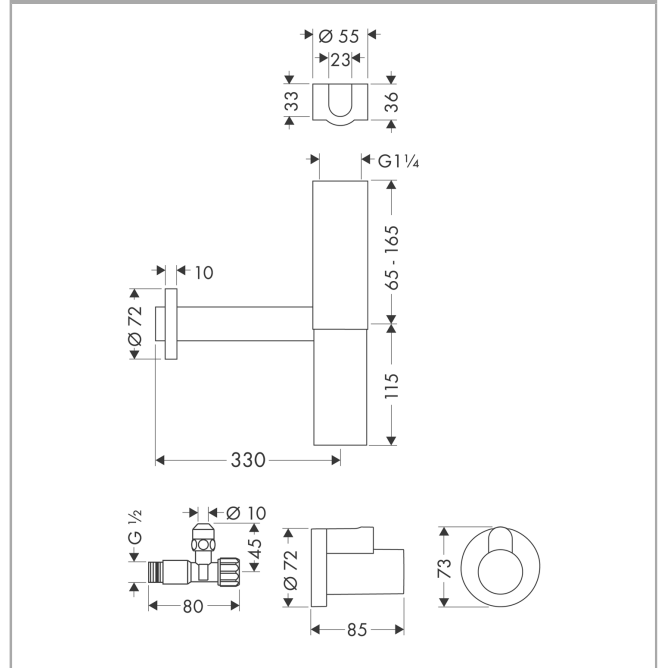
#### product features

- consists of: design trap, 2 angle valves, 2 covers
- adjustment distance 65 - 165 mm
- distance to wall 330 mm
- odour trap - backwater height is 75 mm
- connection dimension entry: G 1¼

### Product image



### Scale drawing



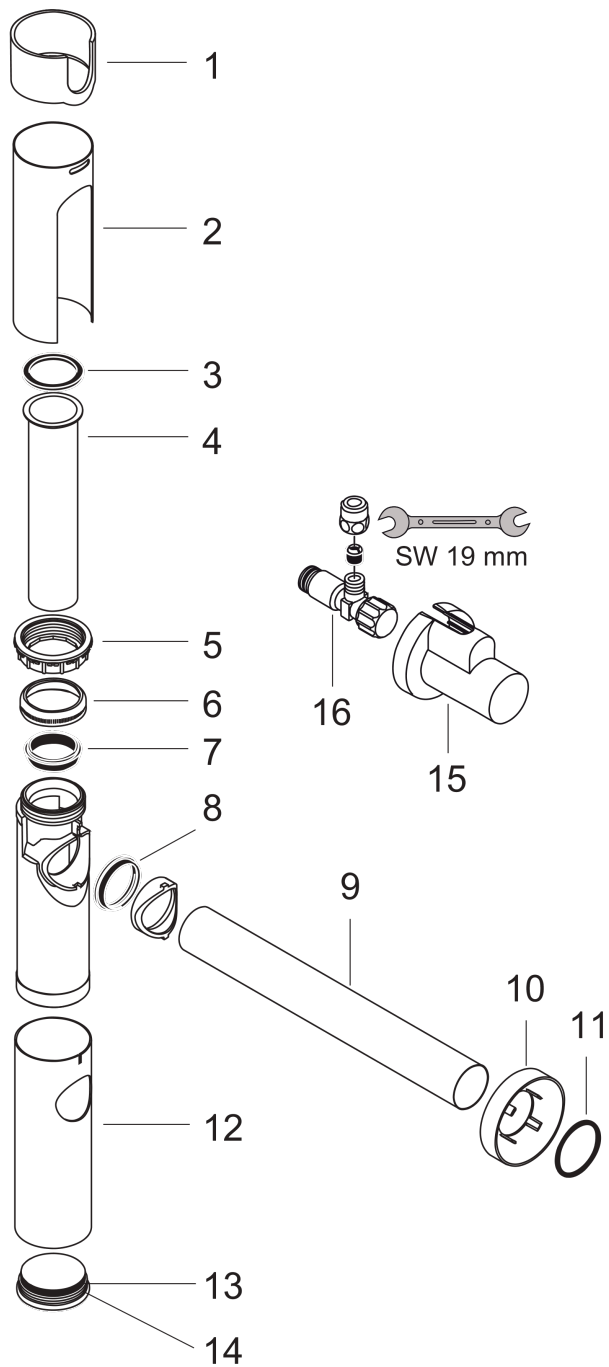
**Design trap Flowstar set**

Finish: **Chrome** Article Number: **52120000**



**Exploded Drawing**

Year of production: >10/01



## Design trap Flowstar set

Finish: **Chrome** Article Number: **52120000**



### Spare part list

Year of production: >10/01

Pos.	Description	Article Number	PC	PU
1	valve cover	13957000	8	1
2	coating pipe	96553000	8	1
3	seal 1¼"	53971000	1	1
4	sleeve pipe 1¼" 150 mm	96420000	5	1
5	sleeve nut	97590000	2	1
6	hand nut 1¼"	53951000	1	1
7	wedge-shaped seal 1¼"	53985000	1	1
8	sealed box	96487000	1	1
9	wall pipe 1¼" 500 mm	53493000	98	1
10	escutcheon	96490000	6	1
11	O-Ring 32x3	98051000	1	1
12	sleeve	96554000	9	1
13	plug	97258000	6	1
14	O-ring 38x2,5	98198000	2	1
15	angle valve cover	13950000	98	1
16	angle valve with cover	13954000	98	1