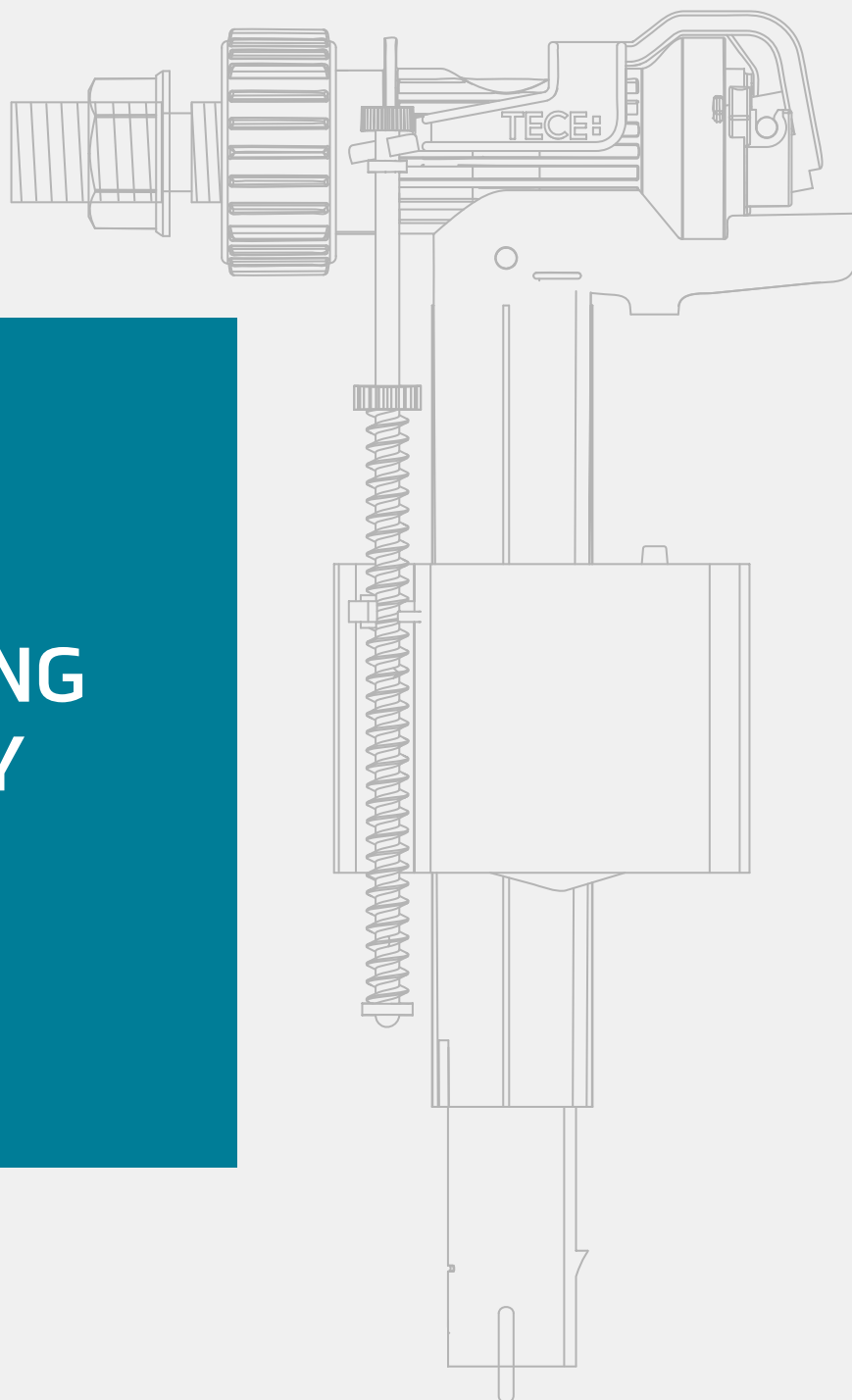




Sanitary systems

TECE FLUSHING TECHNOLOGY

TECHNICAL INFORMATION



All data contained in the Technical Information has been compiled with the utmost care. However, the correctness of the data presented cannot be guaranteed. TECE assumes no liability for damage resulting from the use of this information. Text and images are protected by copyright law.

Issue: March 2020

© Copyright 2020, TECE GmbH, Hollefeldstraße 57, D-48282 Emsdetten

Contents

Uni cistern	4-4
A 2 drain valve	4-4
F 10 filling valve	4-6
Cistern 8 cm	4-8
Filling valve F 1	4-8
Drain valve A 3	4-9
Throttle set	4-10
Installation	4-11
Toilet flush plates	4-12
U 1 TECE urinal flush valve	4-13
Mechanical flush valve	4-13
U 1 electronic flush valve	4-14
Urinal flush valve assembly instructions	4-16
Programming the urinal infrared electronics	4-17
Flush plates for the new U 1 urinal valve	4-18
U 2 TECEfilo urinal flush valve	4-19
U 2 urinal flush valve assembly instructions	4-20
Programming the U2 urinal electronics	4-21

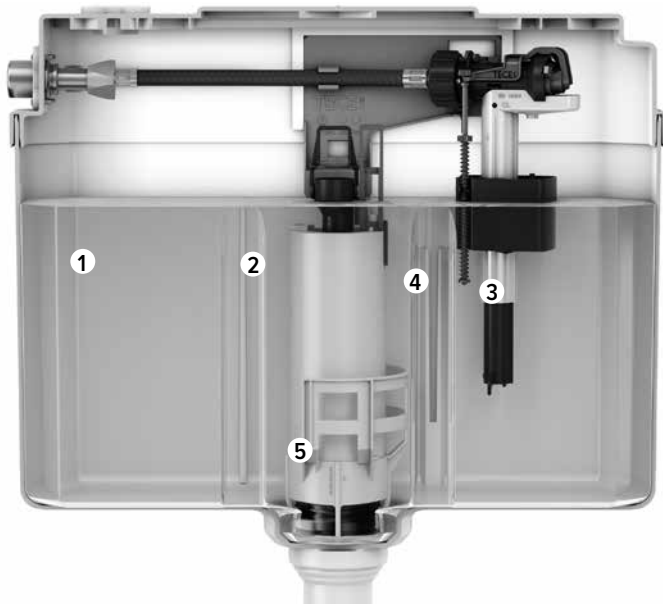
Uni cistern

Uni cistern

The Uni cistern from TECE is a universally usable standard cistern. By using different frames, the cistern can be installed in dry or wet-wall constructions. The cistern is always equipped with the same internal technology and is therefore compatible with all TECE flush plates. The universality of the cistern results in a clear product range, simple stock-keeping and spare parts supply.

Features of the cistern:

- Pre-assembled and sealed
- Can be combined with all TECE flush plates
- Single or dual-flush systems available
- Robust lever mechanism
- 10-litre safety tank: enough water when needed
- Flush volume adjustment for every application:
4.5 and 3 litres,
6 and 3 litres,
7.5 and 3 litres or
9 and 3 litres.
- Cistern tank made of impact-resistant plastic
- Easy to install
- Self-explanatory technology



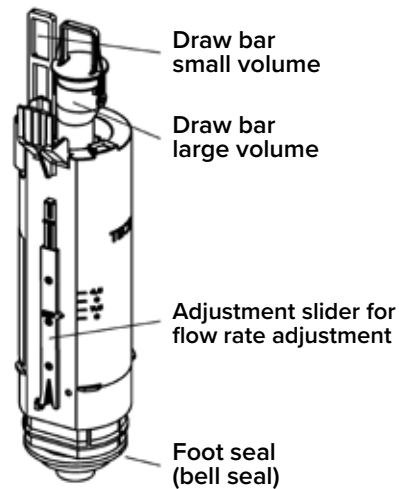
- TECE cistern with
1. Corner valve
 2. Reinforced hose
 3. Filling valve 3/8" standard connection
 4. Filling valve holder
 5. Drain valve (here, F10)
 6. Valve seat (with throttle)

Tank

As the tank volume is 10 litres, there is always plenty of water for flushing. Even after flushing with the large flush volume, water is always available for a follow-up flush. The tank is made of impact-resistant plastic and is insulated against condensation water.

A 2 drain valve

The current A 2 drain valve has been installed in TECE cisterns since 2009.



A2 drain valve, important components

Dual-flush technology

During everyday use, a considerable amount of potable water is used to flush toilets. Here, the intelligent solutions from TECE can make an active contribution to saving water. With dual-flush technology, the small flush volume is set to 3 litres, and the large flush volume can be set to 4.5/6/7.5 or 9 litres. The default setting for the dual-volume flush is 6 litres for the large flush volume and 3 litres for the small flush volume.

Single-flush technology

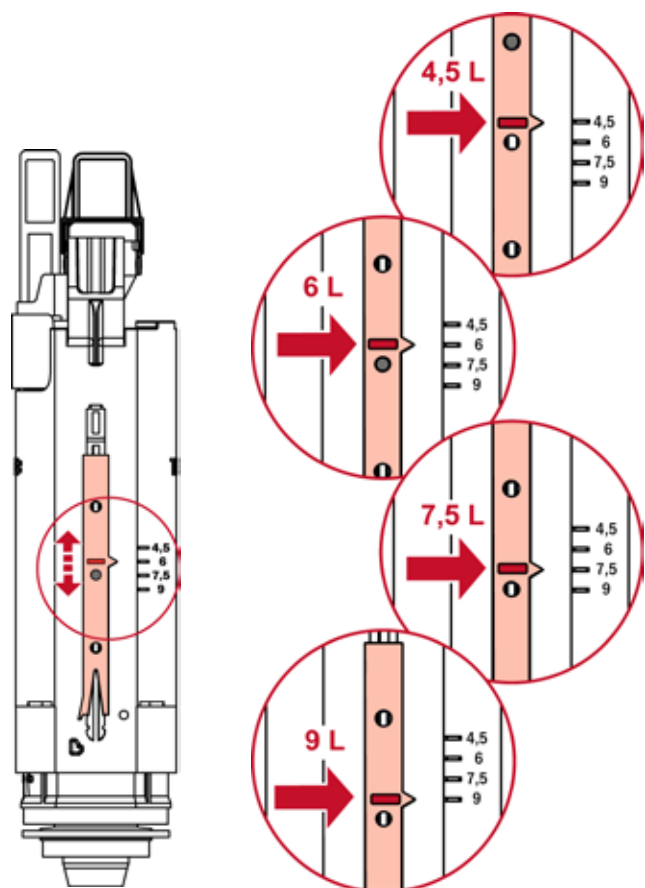
Single-flush technology is also possible with TECE cisterns and TECE drain valves. However, with this flush option, only the large flush volumes of 4.5/6/7.5 or 9 litres are available.

General information

Due to the easily adjustable drain valve settings, the flush volumes can be adapted to each specific situation. In the new building sector with adapted pipelines, slopes and when using a 4.5 litre ceramic, the 4.5 litre economy flush can be used in combination with the 3 litre flush. However, pipe systems are often installed which need a larger flush volume to ensure that they work correctly. In this case, flush volumes of up to 9 litres can be chosen to ensure this.

Setting the flush volumes

The flush volume is adjusted centrally via an adjustment slide on the back of the drain valve. The adjustable flush quantities are clearly marked on the valve.



A2 drain valve, adjusting the flush volume

Throttle set

If the flushing of a toilet ceramic is not adequate, the flushing pressure can be reduced or increased with the help of the throttle set.

The throttle set includes eight different throttles:

- Brown: 46 mm diameter (approx. 115% flushing pressure)
- Red: 42 mm diameter (approx. 110% flushing pressure)
- Yellow: 39 mm diameter (approx. 105% flushing pressure)
- Blue: 36 mm diameter (approx. 100% flushing pressure)
- Green: 34 mm diameter (approx. 95% flushing pressure)
- Grey: 32 mm diameter (approx. 85% flushing pressure)
- Black: 30 mm diameter (approx. 75% flushing pressure)
- White: 28 mm diameter (approx. 65% flushing pressure)

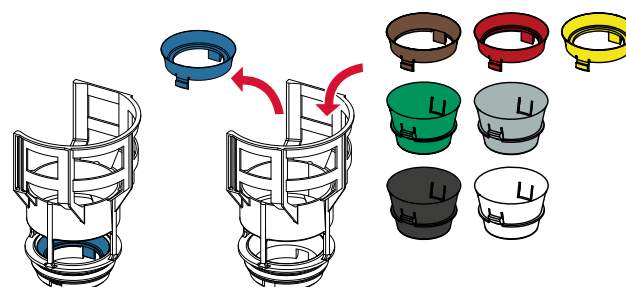
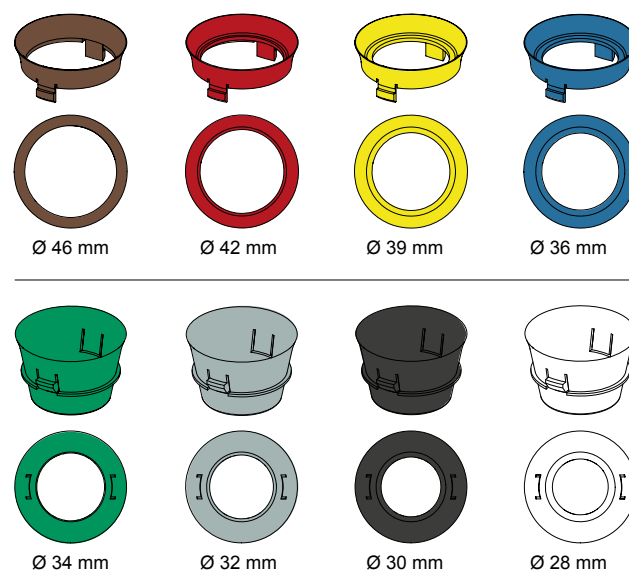
Reducing the flushing pressure:

The throttle set can be used to reduce the flushing pressure if water sprays out of the toilet ceramics. To control the flushing pressure, a throttle with a smaller internal diameter can be used.

Increasing the flushing pressure:

If the toilet ceramics are not being cleaned correctly, the flushing pressure for standard cisterns can be subsequently increased. To increase the flushing pressure, install a throttle with a larger internal diameter or remove the inserted throttle.

The flush flow throttle can be easily installed in the valve seat of the drain valve.



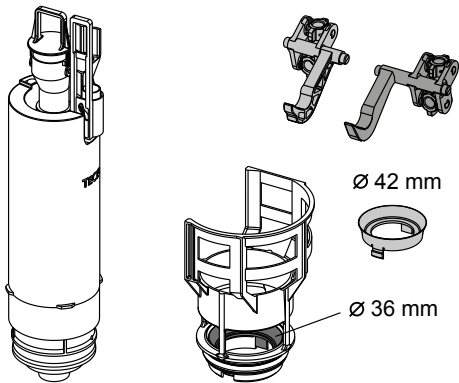
Installing/removing the flush flow throttle in the valve seat

Uni cistern

Converting drain valve A 1 to version A 2

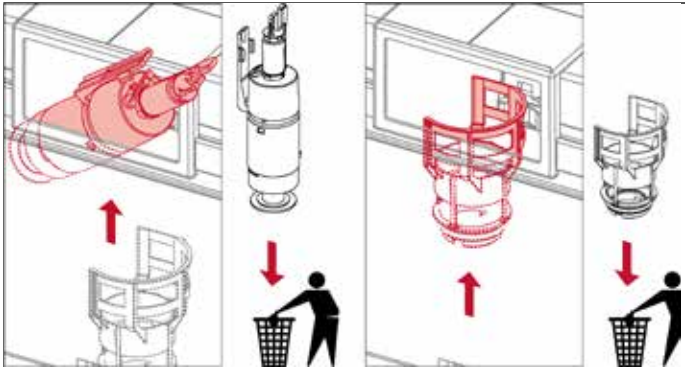
If a drain valve is replaced as a spare part or the new drain valve is modified because of the additional functions (4.5/7.5 litre flush, throttle set), the new A2 drain valve offers full compatibility with the old A 1 version.

The operating lever, two throttles and valve seat are included in the scope of delivery along with the A 2 drain valve.

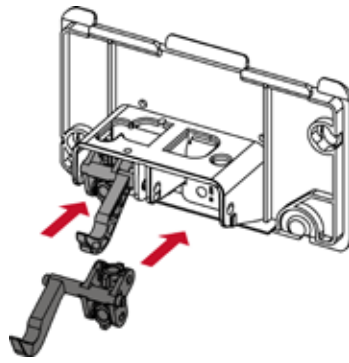
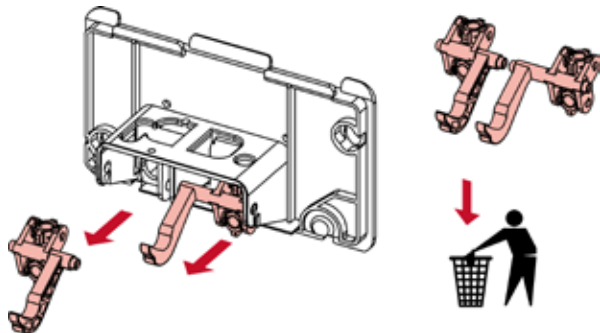


Conversion set 9820223, scope of delivery

The TECE cistern drain valve can be easily replaced.



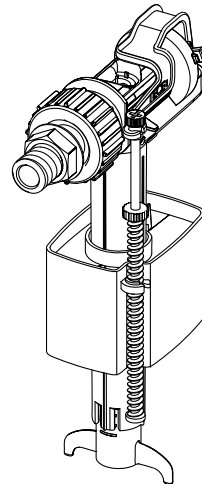
The old A 1 drain valve should be disposed of, together with the associated valve seat and seal.



When replacing an old A 1 drain valve with a new A 2 one, care must be taken to ensure that the operating lever is also replaced.

F 10 filling valve

The F 10 replacement filling valve (item no. 9820353) universally fits in all TECE cisterns and in many competing cisterns.



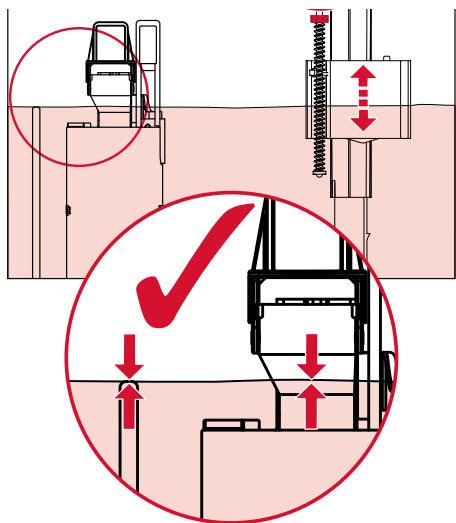
F 10 filling valve

Features:

- Low-noise in accordance with acoustic group 1 (DIN 4109)
- Field of application: 100 hPa to 10,000 hPa
- Minimum flow pressure: 500 hPa
- Adjustable filling level
- Compact design
- Adjustable outlet pipe

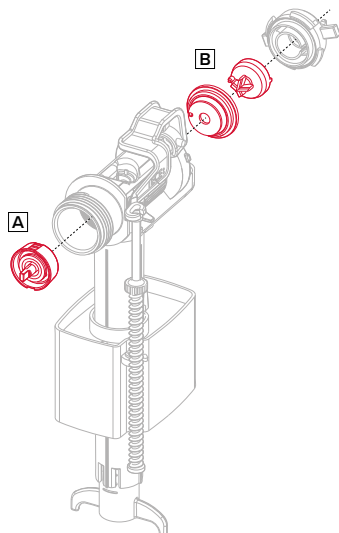
Filling level setting (filling valve)

The filling level in the cistern can be set by turning the adjustment spindle on the filling valve.



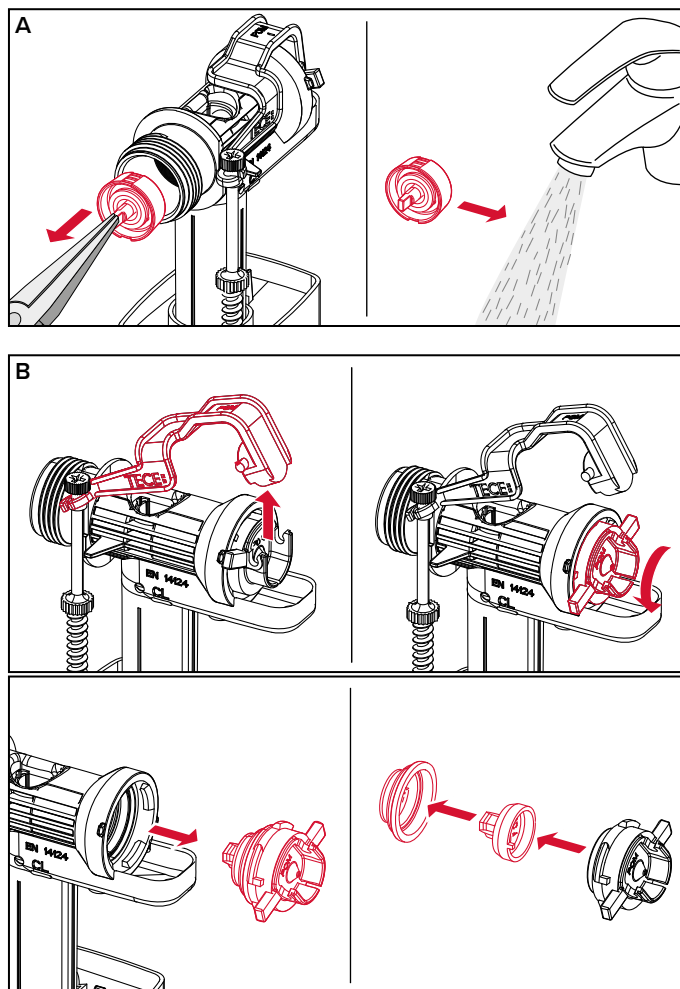
The height should be set so that the water reaches the upper mark on the overflow of the drain valve and the upper mark in the cistern (see illustration).

Cleaning the filling valve



The inflow element (A) or the membrane of the pilot valve (B) can be cleaned if they become dirty due to polluted water.

To do this, remove the parts and simply hold them under running water.



If necessary, you can obtain replacement parts for the filling valve with item nos. 9820382 (valve lever set) and 9820383 (seal set).

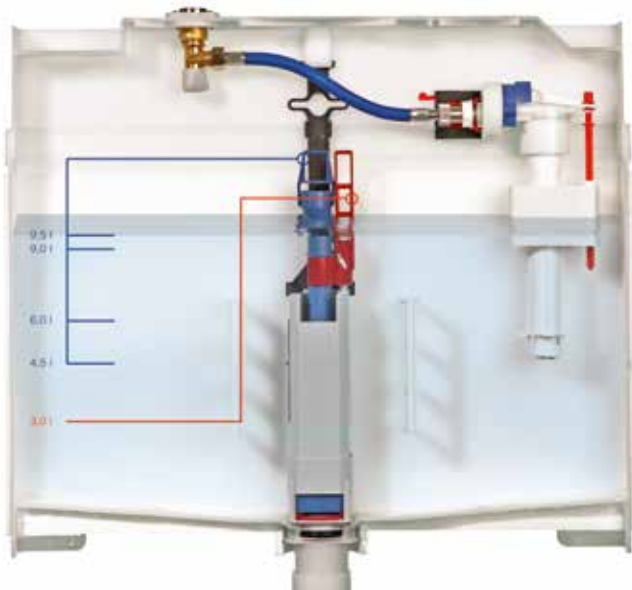
Cistern 8 cm

Cistern 8 cm

The concealed cistern from TECE is a universally usable 8 cm cistern. By using different frames, the cistern can be installed in dry or wet-wall constructions. The cistern is always equipped with the same internal technology and is therefore compatible with all TECE flush plates. The universality of the cistern results in a clear product range, simple stock-keeping and spare parts supply.

Features of the cistern:

- Pre-assembled and sealed
- Can be combined with all TECE flush plates
- Single or dual-flush technology available
- Robust lever mechanism
- 9.5-litre safety tank: enough water when needed
- Compatible with standard market spare parts
- Cistern connection with 1/2" internal thread
- 6-litre pre-set standard flush volume
- 4.5 / 6 and 9-litre flush volume can be set as an option at any time
- 3-litre part-flush with dual-flush system
- Cistern tank made of impact-resistant plastic and insulated against condensation water
- Easy to install
- Self-explanatory technology

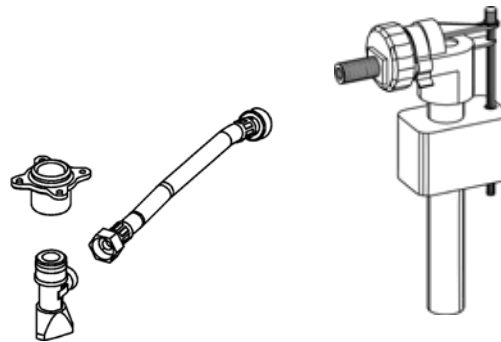


TECE cistern with:

1. Corner valve
2. Reinforced hose
3. Filling valve F 1 with standard connection 3/8"
4. Filling valve holder
5. Drain valve A 3
6. Valve seat of drain valve
7. Reinforcements

Filling valve F 1

Thanks to the high technical quality standard of the filling system (valve, hose and F1 valve) the TECE cistern is characterised by the lowest sound level on the market - Lap ≤ 17 dB(A).

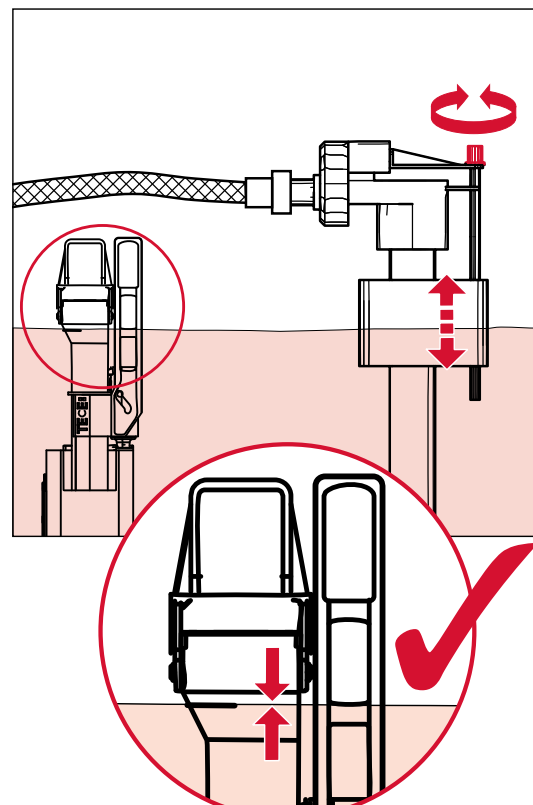


Intake and filling valve F 1

Setting the filling level

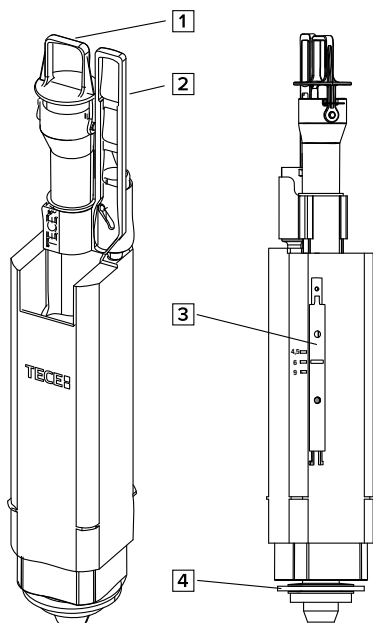
The filling level in the cistern can be set by turning the adjustment spindle on the filling valve.

The height should be set so that the water reaches the upper mark on the overflow and the mark on the actuation block (see illustration).



Drain valve A 3

The drain valve A 3 is installed exclusively in the 8 cm cistern.



Drain valve A 3 (order number 9820224) with

1. Connecting rod large
2. Connecting rod small
3. Sliding lever for flush volume
4. Foot seal

Dual-flush technology

During everyday use, a considerable amount of drinking water is used to flush toilets. Here, the intelligent solutions from TECE can make an active contribution to saving water. With dual-flush technology the small flush volume is set to 3 litres and the large flush volume can be set to 4.5 / 6 or 9 litres. The default setting for the dual-volume flush is 6 litres for the large flush volume and 3 litres for the small flush volume

Single-flush technology

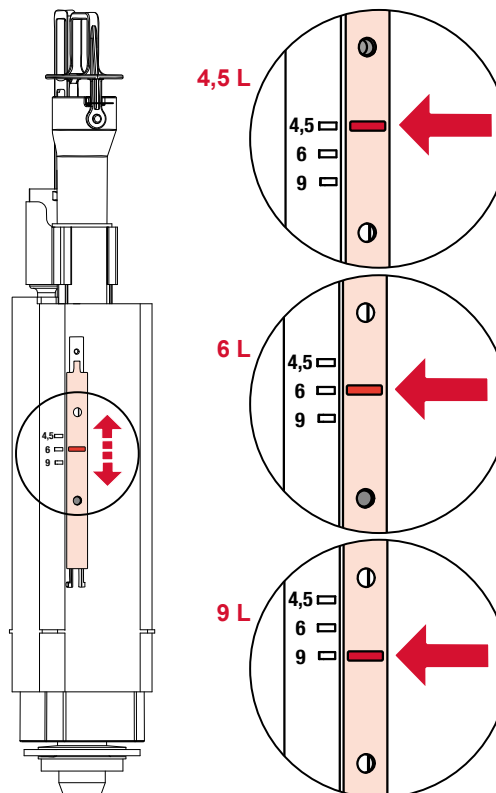
Single-flush technology is also possible with TECE cisterns and TECE drain valves. However, with this flush option, only the large flush volumes of 4.5 / 6 or 9 litres are available.

General information

Due to the easily adjustable drain valve settings, the flush volumes can be adapted to each specific situation. In the new building sector with adapted pipelines, slopes and when using a 4.5 litre ceramic, the 4.5 litre economy flush can be used in combination with the 3 litre flush. However, pipe systems are often installed which need a larger flush volume to ensure that they work correctly. In this case, flush volumes of up to 9 litres can be chosen to ensure this.

Setting the flush volumes

The flush volume is adjusted centrally via an adjustment slide on the back of the drain valve. The adjustable flush quantities are clearly marked on the valve.



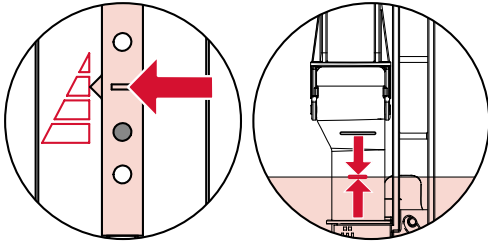
The large flush volume can be set to 4.5 / 6.0 or 9.0 litres.

The default setting is 6 litres. To change the large flush volume, the drain valve must be removed from the cistern. To do this, the splash guard and the actuation block must be removed. Then the drain valve can be taken out of the cistern. The sliding lever is located on the side of the main part of the drainage valve. Move the sliding lever to the desired flush volume. This increases or decreases the flush volume.

This does not change the small flush volume and it remains set to 3 litres.

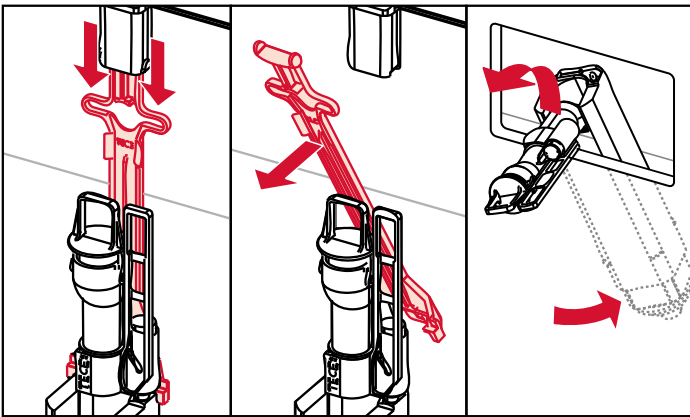
Installation

To reduce the default large volume to 4.0 and the small volume to 2.5 litres, the tank water level lever above the filling valve must also be moved to the lowest mark on the overflow.



Removing the drain valve

To take out the filling valve, open the splash guard with the actuation block. Press the hold-down device downwards as shown in the illustration and remove it from the tank. Now pull the filling valve upwards out of the valve seat, snap off the top part and take it out.



After removing the drain valve, the valve seat can be removed by pulling it upwards.

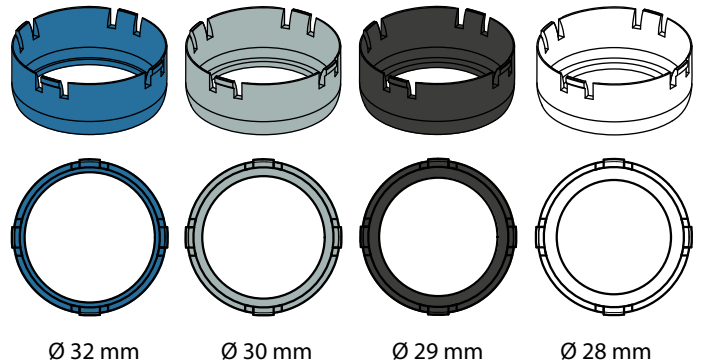


Throttle set

If the flushing of a toilet ceramic is not adequate, the flushing pressure can be reduced or increased with the help of the throttle set.

The throttle set includes four different throttles:

- Blue: Diameter 32 mm (100%)
- Grey: Diameter 30 mm (90%)
- Black: Diameter 29 mm (80%)
- White: Diameter 28 mm (70%)

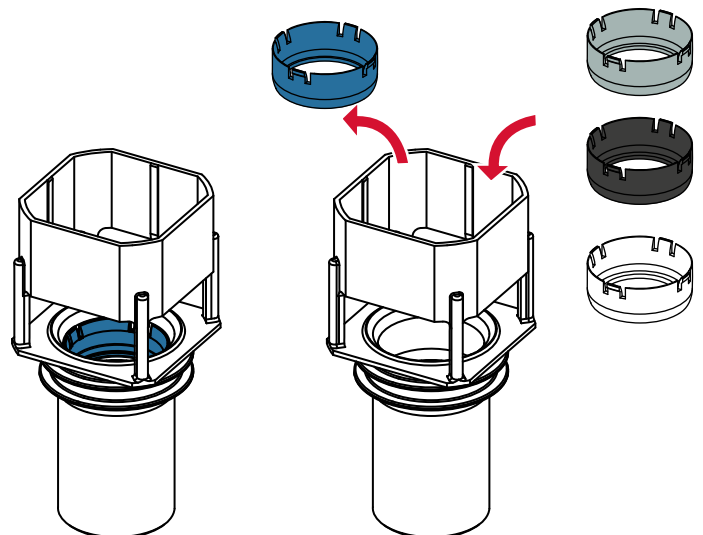


Reducing the flushing pressure

The throttle set can be used to reduce the flushing pressure if water sprays out of the toilet ceramics. To control the flushing pressure, a throttle with a smaller internal diameter can be used.

Increasing the flushing pressure

If the toilet ceramics are not being cleaned correctly, the flushing pressure for 8 cm cisterns can be subsequently increased. To increase the flushing pressure, install a throttle with a larger internal diameter or remove the inserted throttle.



The flush flow throttle can be easily installed in the valve seat of the drain valve.

Installation

Shell installation

The corner valve of the cistern is closed and pre-installed as a complete unit. The pressure test can be carried out without having to open the cistern. The cistern only needs to be opened during the fine installation phase. During the shell construction stage, the cistern remains sealed. An unbroken seal during fine installation work guarantees that the cistern is clean and functional. A damaged seal shows that the cistern has already been opened.



Splash guard with seal

Fine installation

The cistern can only be opened if the seal on the splash guard is broken. If the seal is untouched for fine installation, the inside of the cistern is dirt-free and intact. The connection pipe must be flushed properly before the cistern is put into operation. To do this, the hose can be lead out of the cistern towards the outside. After being flushed out, the reinforced hose can be screwed onto the filling valve without the need for any tools.

A special feature of the TECE cistern is the actuation block mounted on the splash guard. When the cistern is opened, it is completely removed. This also works with the support frame for the actuation.



Splash guard with actuation block

Despite the small inspection opening, there is sufficient space for work inside the cistern. The operating levers are shaped in such a way that they find their own way into the drawbar eyelets of the drain valve when inserted.

Installation

Toilet flush plates

All manual TECE flush plates fit the Uni and 8 cm cisterns. The electronic actuators can only be used on the Uni cistern with front actuation and an actuation height of 1 m.

Overview of TECE toilet flush plates



TECElux Mini



TECEsquare II metal



TECEsquare glass



TECEloop plastic



TECEloop glass



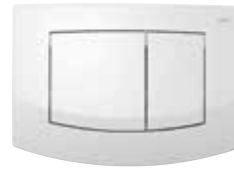
TECEsolid



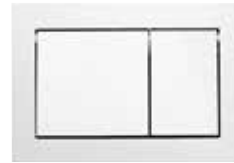
TECEplanus



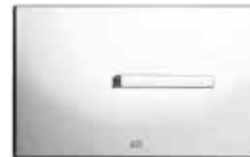
TECEnow



TECEambia



TECEbase



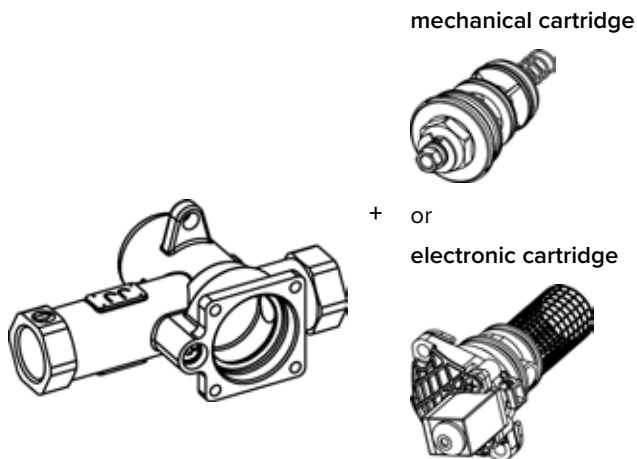
Toilet flush handle

The toilet flush plates shown here only give an overview of the available product range. See the whole range online at www.tece.com/en. Here you can also find a flush plate configurator, which allows you to select the material and colour for the buttons and covers.

U 1 TECE urinal flush valve

The TECE U 1 urinal flush valve is based on a further development of tried and tested flush valve technology. Well designed details and improved materials ensure durability and high reliability.

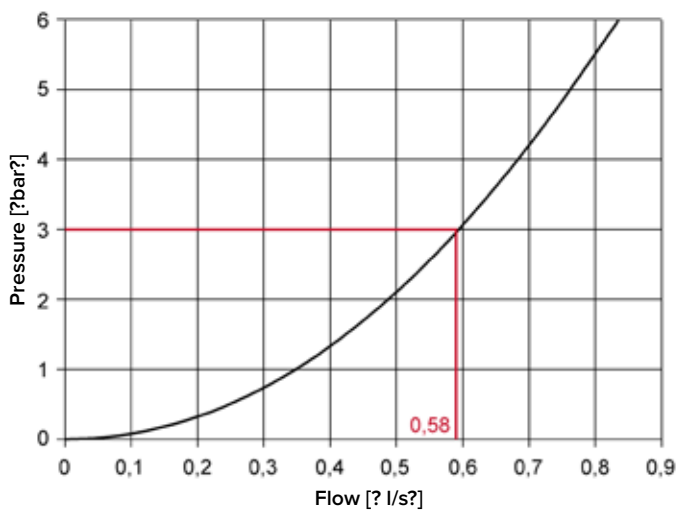
The TECE urinal flush valve is suitable for mechanical and electronic actuation. The same housing is used in both cases. The flush volume can be set from 1 to a maximum of about 8 litres.



Housing for urinal flush valve and cartridges

Manual and electronic cartridges have the same flush valve housing and the same high flush performance of > 0.3 l/s at 1 bar.

Using the following flow diagram, you can calculate the flush volume for the urinal flushing valve depending on the pipe pressure and flushing time.

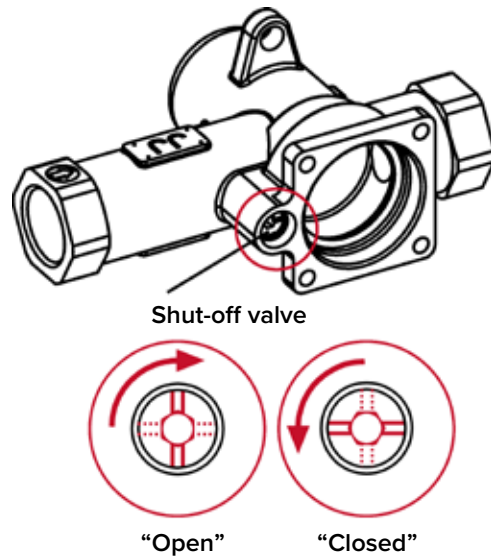


Urinal electronics flow diagram

Example:

Pipe pressure 3 bar: Flushing flow = 0.58 l/s
 Flushing time e.g. 3.5 s: Flushing volume approx: 2 litres

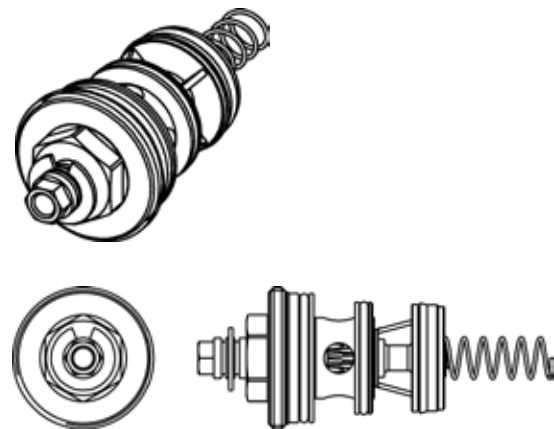
The shut-off valve is located in the valve housing and is adjusted by means of an Allen key (size 3 mm). Turn 90° anti-clockwise to close, 90° clockwise to open the shut-off valve.



Shut-off valve

Mechanical flush valve

The mechanical flush valve (to DIN EN 12541) is hydraulically controlled and is sturdy and reliable. An automatic jet cleaning function ensures long and maintenance-free operation. Regardless of the pipe pressure, the adjustable flushing volume always remains constant.

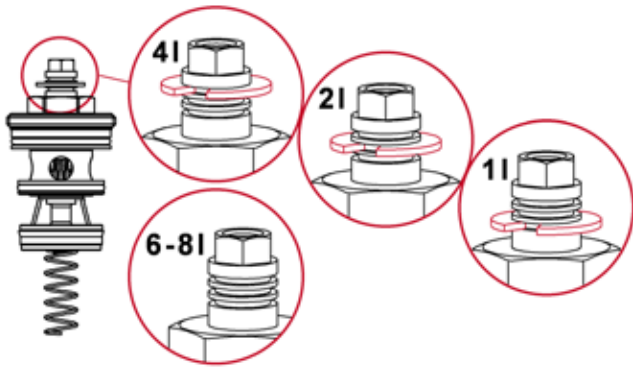


Mechanical cartridge

Volume adjustment

The flushing volume of the mechanical cartridge can be set to 1, 2 or 4 litres using a retaining ring. When the retaining ring is removed, the flusher can be set to 6 – 8 litres.

U 1 TECE urinal flush valve

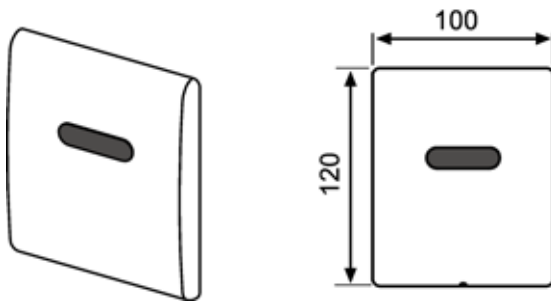


Adjusting the volume on the mechanical cartridge

All TECE manual urinal flush plates can be used together with the U 1 mechanical urinal flush valve.

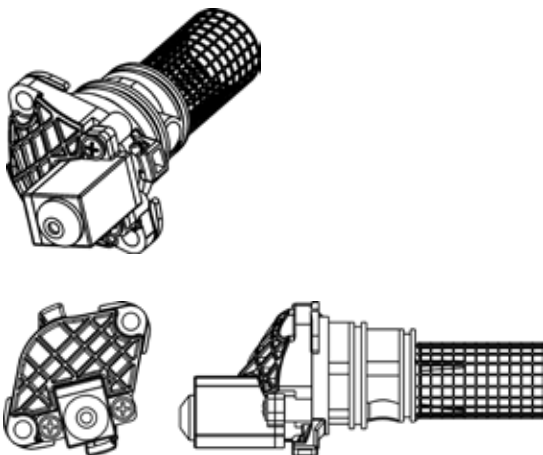
U 1 electronic flush valve

Touch-free electronics are often required particularly in the public sector. As the covers of the TECEplanus electronics are made of metal and they are also equipped with vandal protection, the TECE electronics are particularly suitable for this application.



TECEplanus urinal electronic unit with infrared sensor

The infrared sensor reliably detects every use by means of autofocus. With a magnetic key, different settings of the electronics are still possible even after installation.



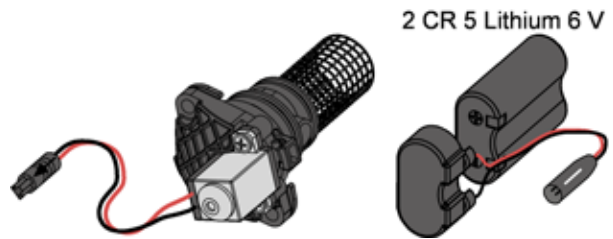
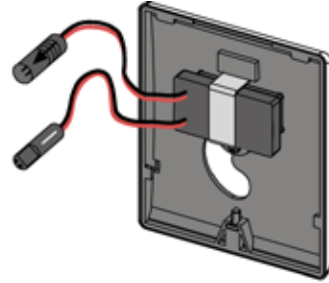
Electronic cartridge

The TECEplanus infrared electronics can be supplied with electricity in two different ways:

- 6 V battery
- 230 V/12 V mains power supply

6 V battery version

The electronics on the battery version have one connection to a battery (connector with white marking) and one to an electronic cartridge (connector with black marking).



Urinal electronics, 6 V battery version

Power is supplied by a 6 V battery, type 2 CR 5 Lithium 6 V. Based on a service life of two years, the battery lasts for

- 220,000 flushes or
- approx. 300 flushes/day.

When the voltage drops to 5.4 V, the voltage is no longer sufficient for the operation of the electronics and the battery must be changed. The electronics notify you of this by beeping during the flush process. If the voltage drops any further, flushing is disabled and the electronics will only beep when a person is in the detection range.

Technical data urinal infrared electronics, 6 V battery

Minimum flow pressure	0.5 bar
Max. operating pressure	12 bar
Flow rate at 3 bar	0.58 l/s
Operating voltage	6 V DC
Power input	1 W
Max. power input	5 W

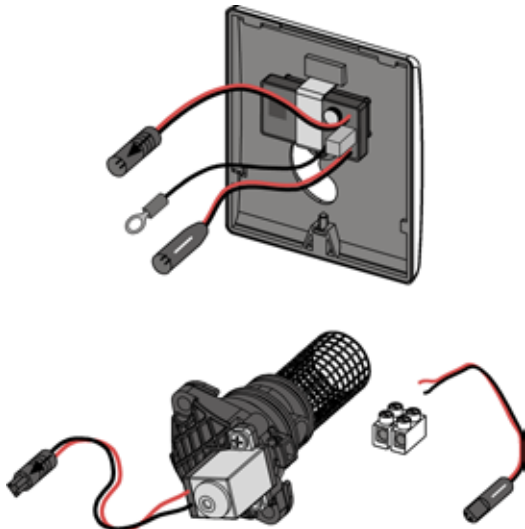
Battery type	Lithium 6 V, 2 CR 5
Max. battery service life	Approx. 3 years
Protection class	III
	Safety extra-low voltage (SELV)

Flushing time, factory setting	3 s
Flushing time, setting range	2-10 s
Pre-flush, factory setting	Off
Pre-flush, setting range	0.5-2 s
Pause function, factory setting	Off
Hygiene flush, factory setting	Off
Hygiene flush, setting range	Off, 24 hours, 255 hours

230 V/12 V mains version

The mains version is powered by a transformer that converts the 230 V alternating current to 12 V direct current (item number 9810003, please order separately).

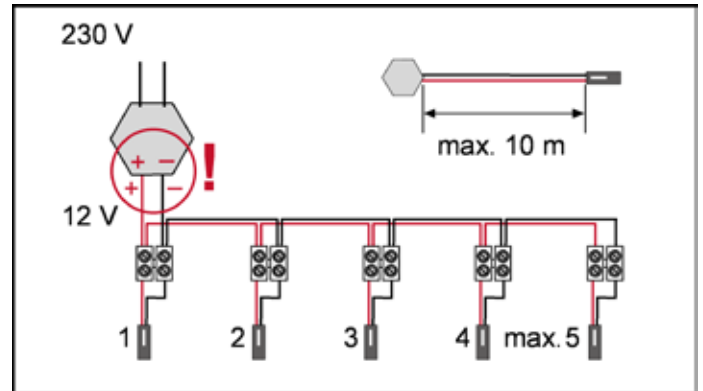
The electronics has one connection to the transformer (connector with white marking) and one to an electronic cartridge (connector with black marking). The third cable is used to earth the electronics on the flush valve's brass housing.



Urinal electronics, 230 V/12 V mains version

Up to five urinal electronic units can be operated simultaneously with the transformer. For this reason, the transformer is not (!) located in the flush valve's bare-wall protection system. The transformer fits conveniently in a standard flush-mounted installation box.

The electronics must be connected in parallel in a series installation and the connection cable may be max. 10 m long between the connection at the transformer and the most distant electronics.



Series installation of 5 urinal electronics, schematic diagram

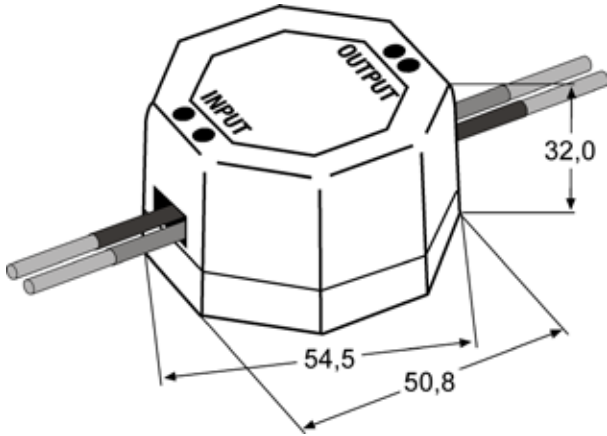
It is recommended that only TECE original products are used for the installation. Make sure that the polarity is correct when connecting the cables.

Technical data urinal infrared electronics, 230 V/12 V mains

Minimum flow pressure	0.5 bar
Max. operating pressure	12 bar
Flow rate at 3 bar	0.58 l/s
Mains voltage	230 V
Operating voltage	12 V (± 20%)
Power input	1 W
Max. power input	5 W
Protection class	III
	Safety extra-low voltage (SELV)
Flushing time, factory setting	3 s
Flushing time, setting range	2-10 s
Pre-flush, factory setting	Off
Pre-flush, setting range	0.5-2 s
Pause function, factory setting	Off
Hygiene flush, factory setting	Off
Hygiene flush, setting range	Off, 24 hours, 255 hours

U 1 TECE urinal flush valve

Technical data 230 V/12 V mains transformer

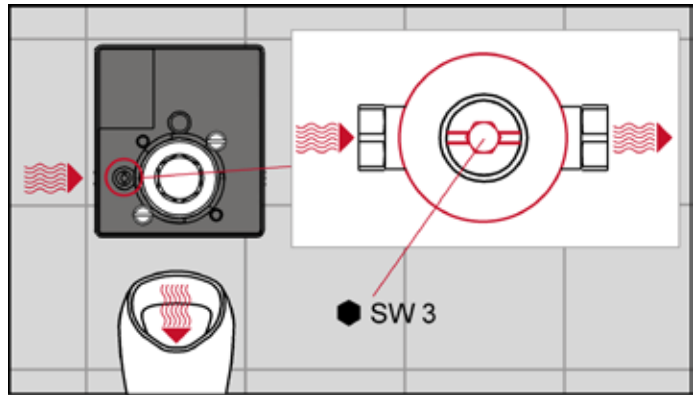


Input voltage	230 V AC (± 20%)
Frequency	48–63 Hz
Output Rated voltage	12 V DC (± 20%)
Output voltage tolerance	± 3%
Residual ripple	< 50 mVpp
Output Rated current	1.0 A
Nominal power	6 W
Minimum load	0
Energy efficiency	75%
Electronic overload protection	
Electronic short circuit protection	
Type of protection	IP 20
Protection class	II
	CE low voltage power supply
Operating temperature	– 20°C to + 40°C
Safety standard	EN 61 558/EN 60 950
EMV standard	EN 55 022/B
Technology	Switching
Switching frequency	100 KHz
Dielectric resistance	3,750 V/1 min
MTBF (MIL HDBK217)	120,000 h

Urinal flush valve assembly instructions

Note: This section provides instructions for the essential points of installation. The notes are thus explained sections from the overall assembly procedure. The entire installation procedure is shown in the assembly instructions for the corresponding items.

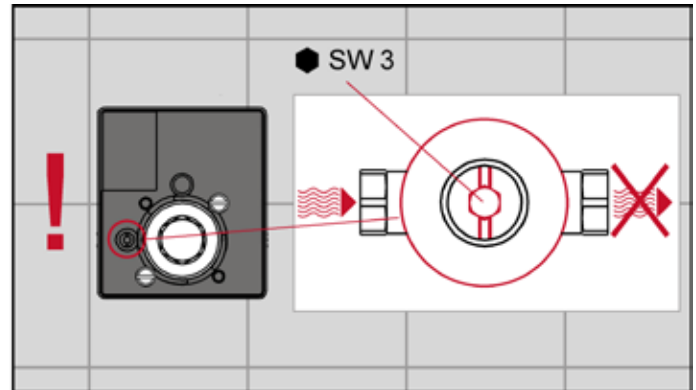
The installation procedures for the mechanical and the electronic flush valves are practically identical up to the installation of the cartridge:



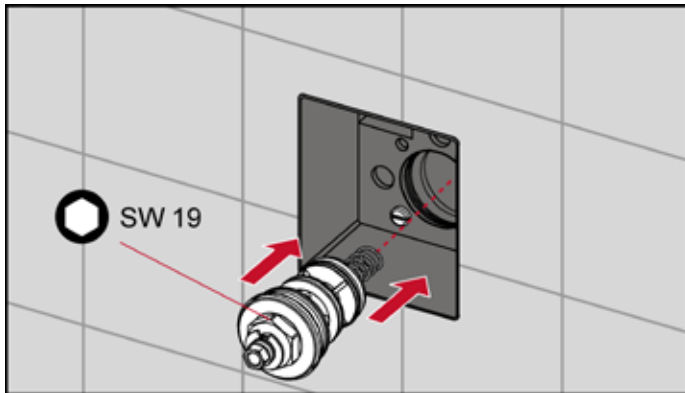
Flush out the pipe sufficiently.

Observe the following:

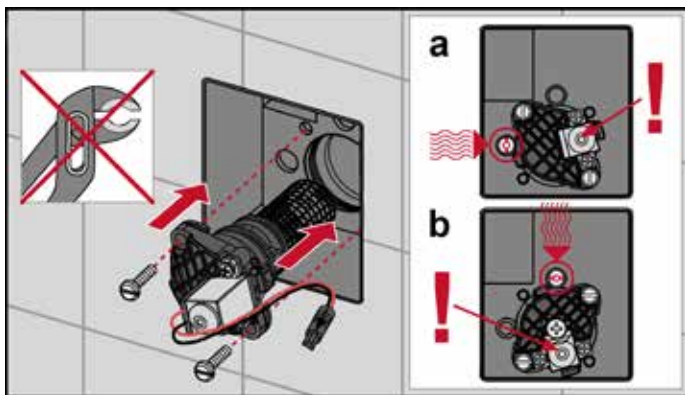
When performing the pressure test, the shut-off valve of the flushing valve must be set to free-flow.



Before mounting the cartridge, ensure that the shut-off valve is closed so that no water can leak out during assembly. Close the shut-off using an Allen key. In the free-flow setting, the groove of the shut-off is parallel to the housing, and in the closed setting, it is at right angles to the housing.



The mechanical cartridge is simply screwed into the housing.



Install the electric cartridge (do not insert with a tool!) and tighten the screws by hand.

Note:

When installing the electronic cartridge, it is particularly important to place it in the correct position. As can be seen on the right-hand side of the diagram, the position also depends on the installation situation of the flush valve housing: Horizontal housing = shut-off on the left, electronics on the right; vertical housing = shut-off at the top, electronics at the bottom. If the cartridge is installed incorrectly, it may happen that the function is initially given but malfunctions occur after a certain time.

Programming the urinal infrared electronics

After installing the electrical supply, the electronics can be programmed within one hour using the magnetic key supplied. In order to change the program, the power supply must be interrupted. Thanks to a memory module, the previously set programme is always active despite the power cut.

Approximately five seconds after being connected to the power supply, TECE electronics can be programmed in the first 60 minutes. Each configurable function is assigned a position.

Position	Function
1	Pause function "off"
2	Pause function "on"
3	Flushing time 2 s
4	Flushing time 2.5 s
5	Flushing time 3 s
6	Flushing time 3.5 s
7	Flushing time 4 s
8	Flushing time 5 s
9	Flushing time 6 s
10	Flushing time 8 s
11	Flushing time 10 s
12	Pre-rinsing "off"
13	Pre-rinsing 0.5 s
14	Pre-rinsing 1 s
15	Pre-rinsing 2 s
16	Hygiene flush "off"
17	Hygiene flush 24 h
18	Hygiene flush 255 h
19	Sensor sensitivity "low"
...	...
23	Distance "standard"
24	Distance "short"
25	Distance "long"
...	...
28	Factory setting
29	Urinal covers "off"
30	Urinal covers "on"

= Factory setting

Programming list for the urinal electronics

In programming mode, the electronics can be set with the magnetic key. In standard mode, only the cleaning function can be activated with this key.

- Cleaning function:
When cleaning the urinal, automatic flushing is generally not required as the cleaning agent needs time to take effect. For this reason, flushing can be delayed by 10 minutes.
- Pre-flush (optional):
(Duration 0–2 seconds) Briefly humidifies the ceramics

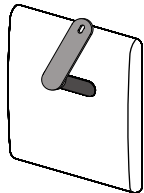
U 2 TECEfilo urinal flush valve

before use, preventing adhesion of urine. Desired side effect: The pre-flush stimulates the urge to urinate.

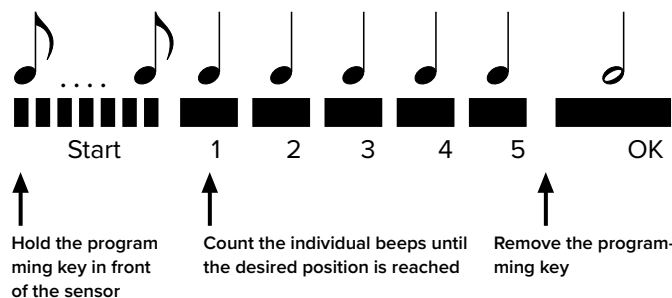
- **Pause function (optional):**
The volume of water is automatically reduced if the urinal is flushed at intervals of less than two minutes. A cleaning flush is performed 45 minutes after the last water-saving flush.
- **Variable flushing time:**
(Duration 2–10 seconds) The flush volume can be adapted to requirements throughout the flush time.
- **Distance:**
The modern autofocus sensor optical system operates reliably in varying construction situations. Nevertheless, the optical system's recognition range can be changed on extremely small or large urinal systems.
- **Hygiene flush (optional):**
If this function is activated, a regular cleaning flush prevents the siphon from drying out and emitting unpleasant odours, and also prevents residues from being deposited (choice of 24 or 255 hours after the last flush).
- **Siphon refill (optional):**
Modern urinals generally suck the siphon contents completely away and then refill enough water to fill the siphon back up again. If this does not work, the refill function of the electronics can be activated. A short flush impulse fills the siphon back up.

How to program the TECE electronics:

- Hold the programming key in front of the sensor window. The programming mode starts with a quick series of short beeps.
- After the start-up phase, a sequence of the same beeps can be heard. Count the beeps until you reach your desired function.
- Now remove the programming key. A long beep indicates that the programming key has been removed.



Example: Setting the flush time to 3 seconds



Flush plates for the new U 1 urinal valve



TECESquare II metal



TECESquare glass



TECESquare metal



TECEloop plastic



TECEloop glass



TECESolid



TECEplanus



TECEnow



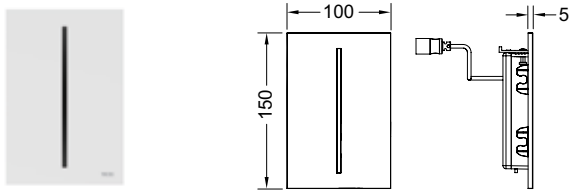
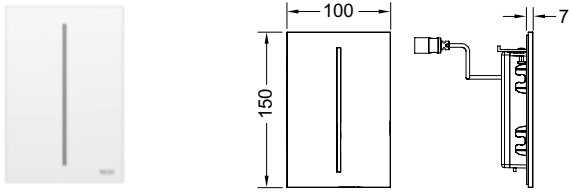
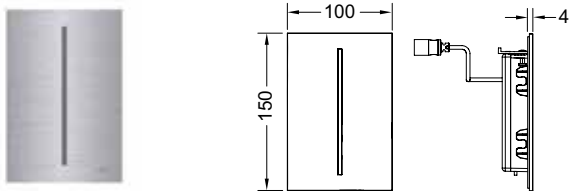
TECEmbia

The urinal flush plates shown here only give an overview of the available product range. See the whole range online at www.tece.com/en. All urinal flush plates are shown in this overview. For more information on TECE flush plates, refer to the "Flush plates" technical guidelines.

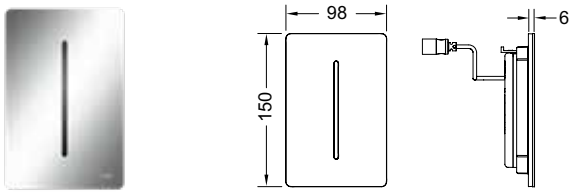
U 2 TECEfilo urinal flush valve

The TECEfilo urinal electronics are available with a metal, glass or plastic surface. As a result, their look harmonises perfectly with various TECE toilet flush plates such as with the TECESquare metal, TECESquare glass or with the TECEnow toilet flush plate. The TECEfilo urinal electronics with a glass or plastic surface can also be mounted flush to the surface with the TECEfilo installation frame.

The new TECEfilo-Solid, which is available with a painted or unpainted metal surface, does not require an installation frame.



TECEfilo, metal
TECEfilo, glass
TECEfilo, plastic



TECEfilo-Solid, metal

Based on a service life of two years, the battery lasts for

- 220,000 flushes or
- approx. 300 flushes/day.

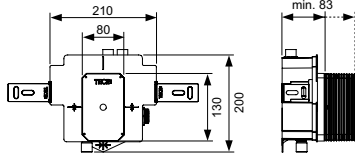
U 2 TECEfilo urinal flush valve

The U 2 TECE urinal flusher is suitable for installation in dry and brick-wall constructions. For dry-wall constructions, installation is performed together with the TECE urinal module. The transformer is already integrated into the two shell elements which means that it is suitable for direct 230 V connection.

U 2 TECEbox urinal flush valve housing for brick-wall construction (9370040)



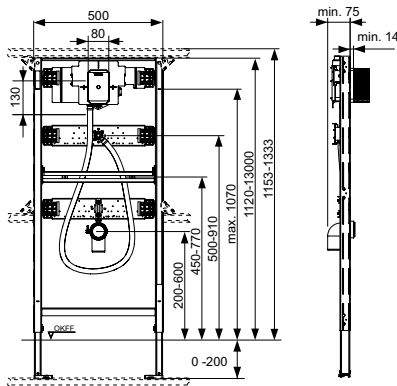
Compatible with the 230 V mains and the 7.2 V battery versions. The transformer for 230 V mains operation is already integrated.



TECEprofil urinal module with U 2 flush valve housing (9320013)



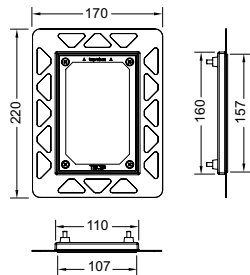
Compatible with the 230 V mains and the 7.2 V battery versions. The transformer for 230 V mains operation is already integrated.



TECEfilo installation frame for flush-mounted installation, for dry-wall constructions only (9242040/41/42)



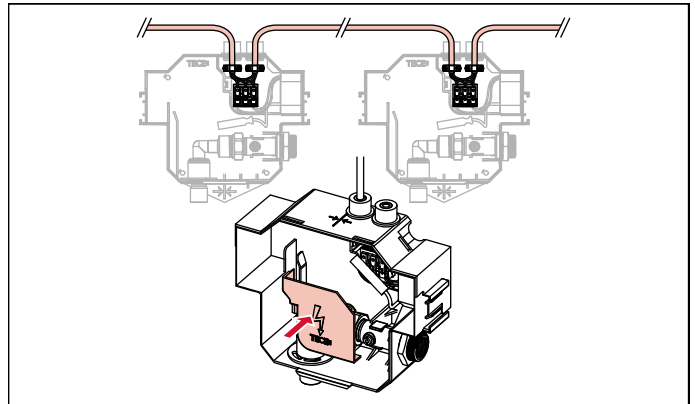
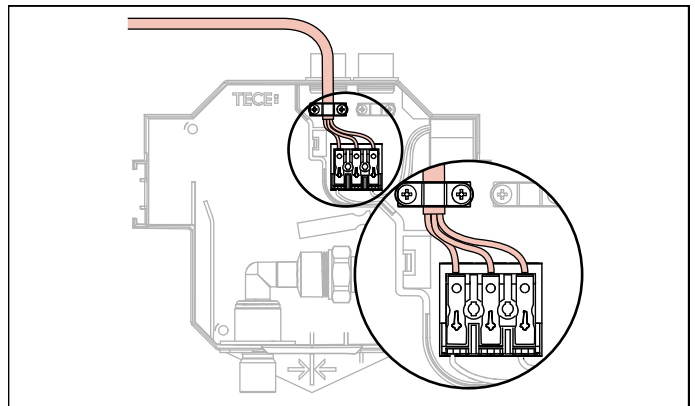
The TECEfilo plastic electronics, like the glass ones, can be mounted with the TECEfilo installation frame for flush-mounted installations in dry-wall structures.



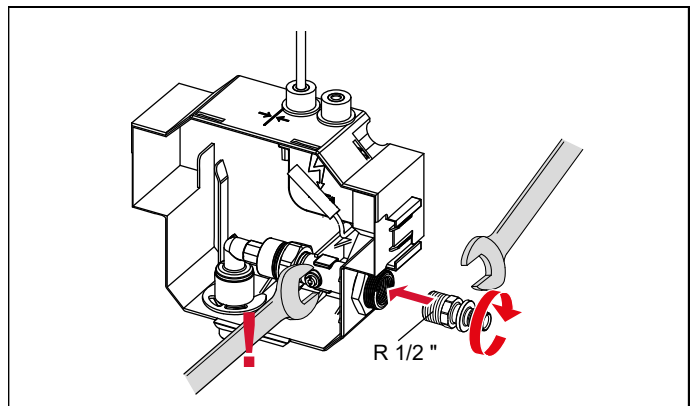
U 2 urinal flush valve assembly instructions

Note: This section provides instructions for the essential points of installation. The notes are thus explained sections from the overall assembly procedure. The entire installation procedure is shown in the assembly instructions for the corresponding items.

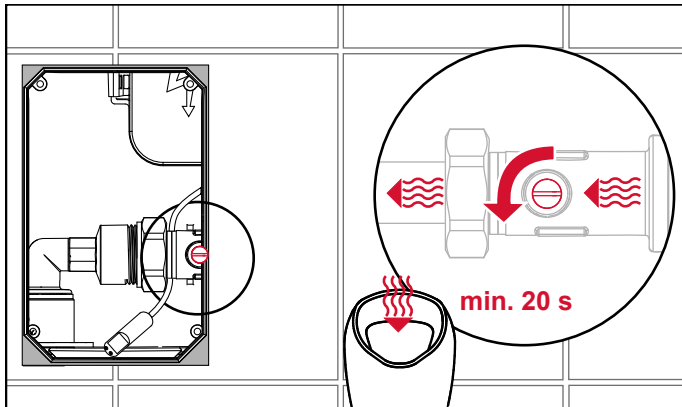
The U 2 flush valve housing can be installed in dry-walls and brick-walls. For better coordination of the trades, the transformer is already integrated into the flusher housing. The transformer can therefore be directly connected with a 230 V cable.



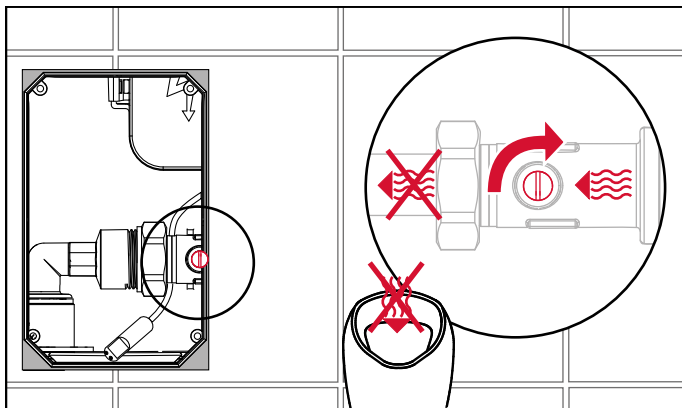
It is also possible to loop the connection.



To connect the pipe, hold the connection housing as shown in ill. 4.



To flush out the connection pipe, open the inlet flow control and sufficiently flush out the pipe.




Before mounting the flusher, make sure that the inlet flow control is closed so that no water can leak out during assembly. Close the shut-off using a flat-head screwdriver. In the free-flow setting, the groove of the shut-off is parallel to the housing, and in the closed setting, it is at right angles to the housing.

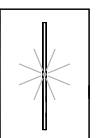
Programming the U2 urinal electronics

To program the TECEfilo urinal electronics, the programming key provided in the scope of delivery is required. The TECE electronics can be programmed during the first 30 minutes after connection to the power supply. In the event of a power failure, the last settings saved are retained. Each configurable setting is assigned a position on the remote control.

Position	Function
1	Pause function "off"
2	Pause function "on"
3	Flushing time 1 s
4	Flushing time 2 s
5	Flushing time 3 s
6	Flushing time 4 s
7	Flushing time 5 s
8	Flushing time 6 s
9	Flushing time 7 s
10	Flushing time 8 s
11	Flushing time 9 s
12	Flushing time 10 s
13	Pre-rinsing "off"
14	Pre-rinsing 0.5 s
15	Pre-rinsing 1 s
16	Pre-rinsing 2 s
17	Hygiene/interval flush "off"
18	Hygiene/interval flush 24 hrs
19	Hygiene/interval flush 72 hrs
20	Hygiene/interval flush 168 hrs
21	Refill "off"
22	Refill "on" (refill for 2 s after flushing for 2 s)
23	Sensor sensitivity "sensitive"
24	Sensor sensitivity "standard"
25	Hygiene flush volume small (5 s)
26	Hygiene flush volume medium (15 s)
27	Hygiene flush volume big (30 s)
28	Reset to factory settings
29	Urinal covers "off"
30	Urinal covers "on"

 = Factory setting

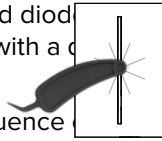
During the programming phase, a red diode flashes in the centre of the sensor field as soon as a person enters the area. This diode acknowledges that the programming mode is activated. It also indicates the exact position of the programming key.



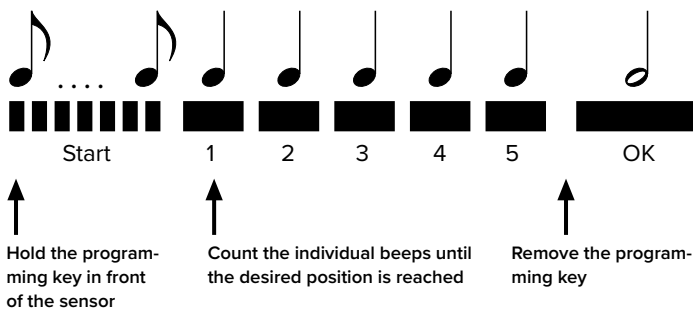
U 2 TECEfilo urinal flush valve

How to program the TECE electronics:

- Hold the programming key in front of the red diode (see illustration). The programming mode starts with a series of short beeps.
- After the start-up phase you will hear a sequence of beeps. Each beep is followed by the same distinct beep. Count the beeps until you reach your desired function.
- Now remove the programming key. A long beep indicates that the programming key has been removed.

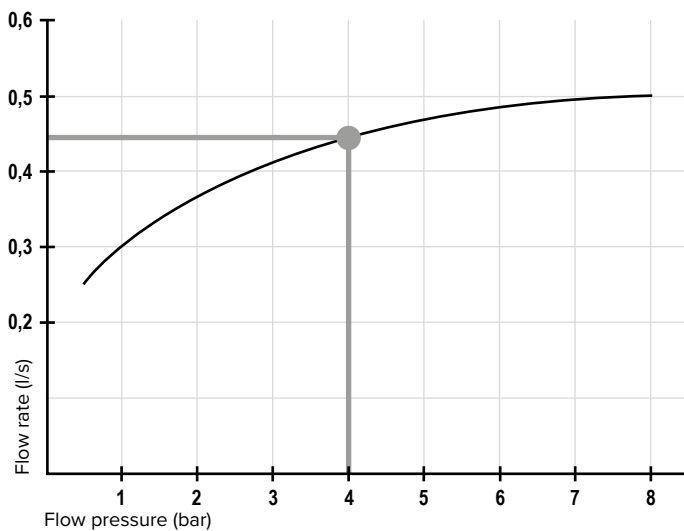


Example: Setting the flush time to 3 seconds



Flow characteristic curve:

With the help of the flow characteristic curve, the volume flow of the TECEfilo flusher can be read and set as a function of the flow pressure and the flushing time:



● Example:

Pipe pressure 4 bar → Flow rate 0.44 l/s → with 5 s flushing time $\hat{=} 2.2$ l

Adjustable functions:

Pause function/stadium function

When the pause function is activated, the flushing time is automatically reduced to one second following repeated flushes in short succession (= less than two minutes). 45 minutes after the last economy flush, a standard flush volume is activated.

Cleaning function

Activating the cleaning function stops the urinal from flushing for ten minutes. After this time, a cleaning flush is automatically triggered and it returns to the standard operating mode.

Activating the cleaning function:

Hold the programming key briefly in front of the sensor window until an acknowledgement beep sounds.

The cleaning function can only be activated in standard mode, not during the programming phase.

Hygiene/interval flush

Automatic flush actuation, choose between 24, 72 or 168 hours after the last flush. The hygiene flush volume can be set to small (5 s), medium (15 s) or large (30 s).