

Croma
Overhead shower 160 1jet
 Finish: **Chrome** Article Number: **27450000**



Description

product features

- shower head size: 160 mm
- spray type: Rain
- ball-joint: overhead shower angle adjustable
- material spray disc: plastic
- maximum flow rate at 3 bar: 17 l/min
- flow rate Rain spray (at 3 bar): 17 l/min
- minimum flow pressure: 1,4 bar
- installation: ceiling or wall
- connection thread G ½
- connection dimension: DN15
- suitable for continous flow water heaters
- pressure: low

Technology



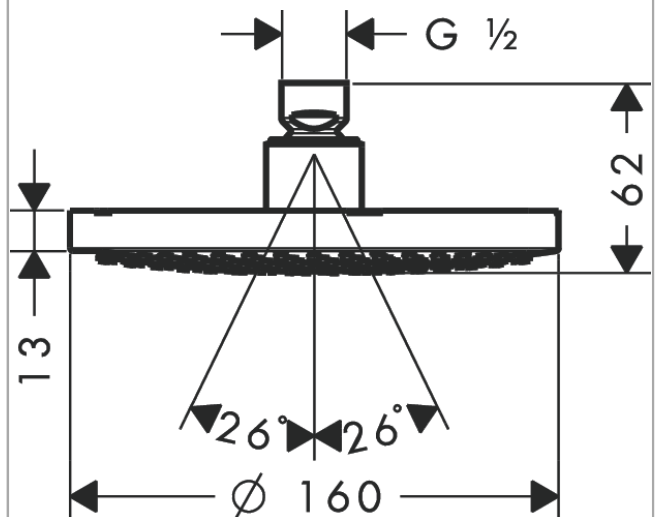
Certificates / Sustainability



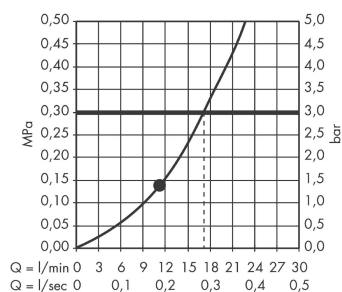
Product image



Scale drawing



Flowchart



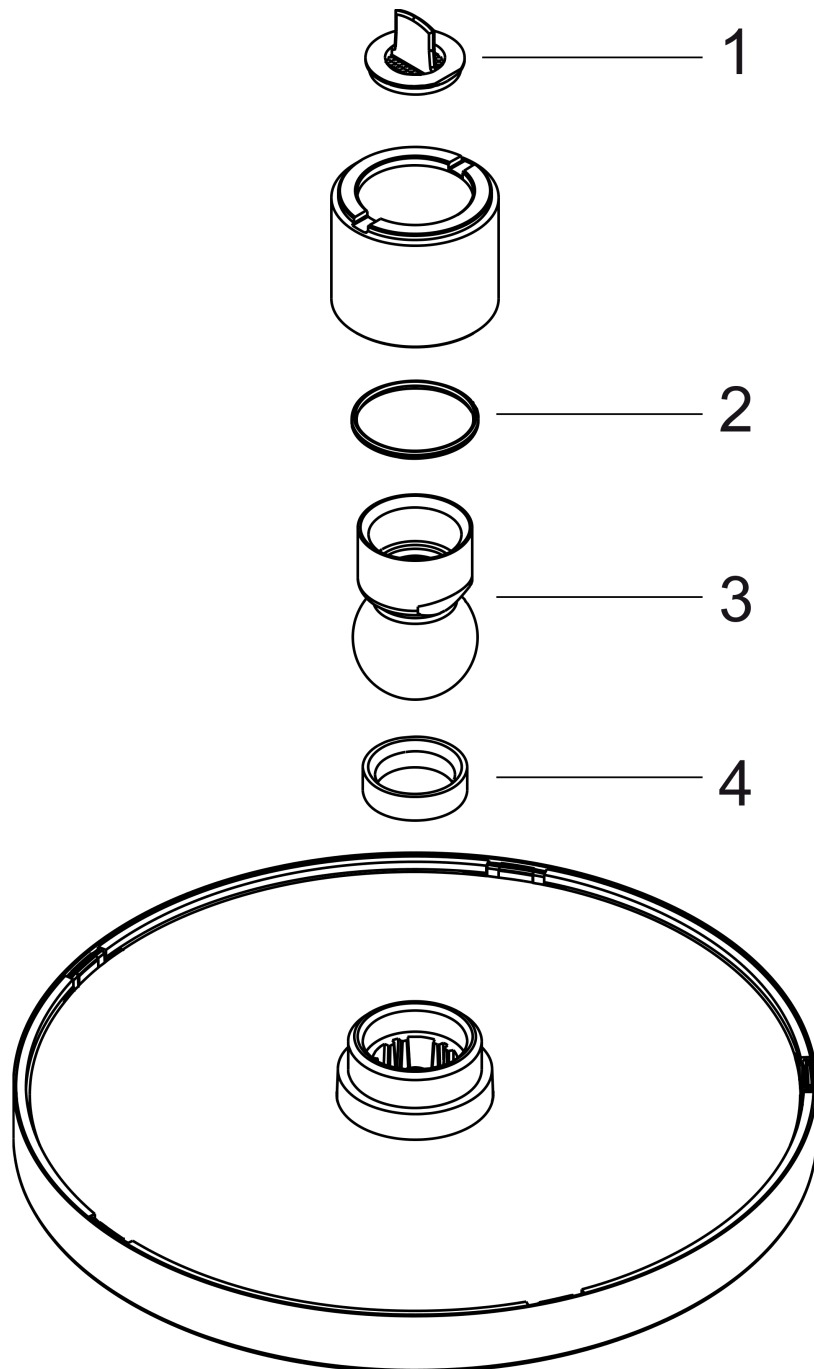
The consumption was measured in combination with the appropriate fittings (thermostat/mixer/ in-wall valve) to reflect actual application in practice.

Croma
Overhead shower 160 1jet
 Finish: **Chrome** Article Number: **27450000**



Exploded Drawing

Year of production: 05/08 - 06/22



Croma
Overhead shower 160 1jet
 Finish: **Chrome** Article Number: **27450000**



Spare part list

Year of production: **05/08 - 06/22**

Pos.	Description	Article Number	PC	PU
1	filter packing	96477000	1	1
2	lever collar	97536000	2	1
3	ball joint	97331000	4	1
4	seal	97606000	2	1