

**AXOR Universal Softsquare  
Liquid soap dispenser with shelf**

Finish: **Brushed Black Chrome** Article Number: **42819340**



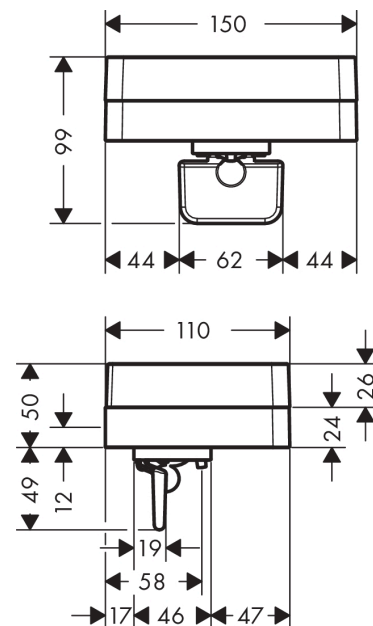
**product features**

- wall-mounted
- adapter set no.42870XXX must be used when installing on a rail
- holder material: metal
- material container: glass
- type of soap: liquid soap
- filling capacity 180 ml
- dosage 0.5 ml
- with mounting material
- drilling distance: 108 mm
- diameter drill hole: 6 mm
- can be used additional as a shelf
- suitable for shower

**Product image**



**Scale drawing**



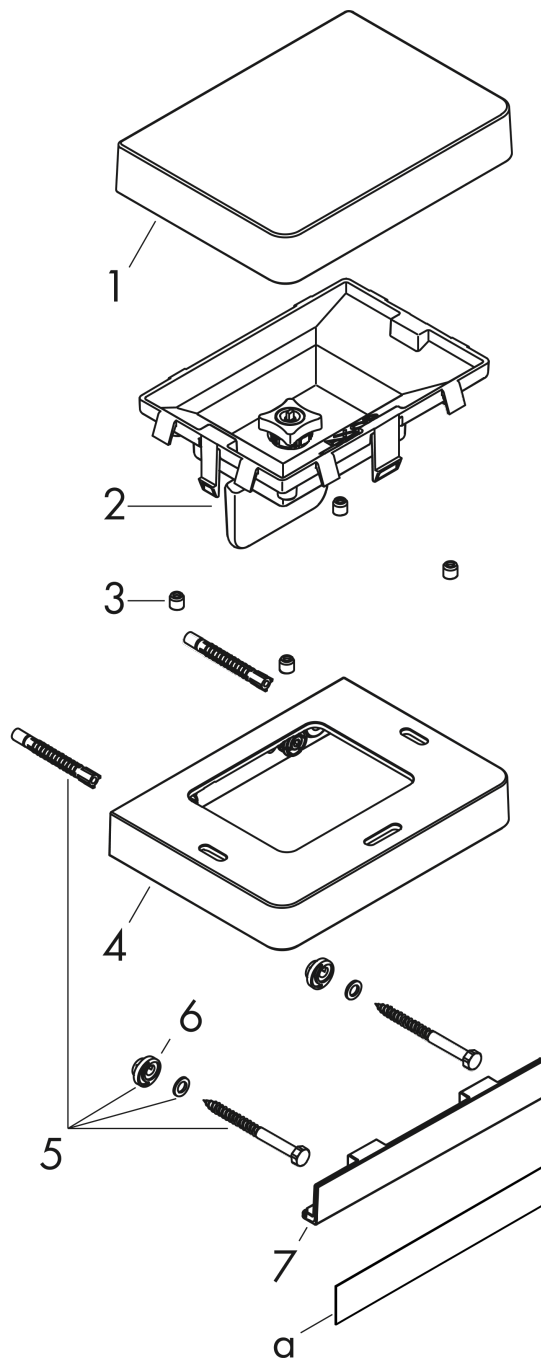
**AXOR Universal Softsquare**  
**Liquid soap dispenser with shelf**  
Finish: **Brushed Black Chrome**

Article Number: **42819340**



## Exploded Drawing

Year of production: >11/16



**AXOR Universal Softsquare**  
**Liquid soap dispenser with shelf**  
 Finish: **Brushed Black Chrome**    Article Number: **42819340**



## Spare part list

Year of production: >11/16

Pos.		Article Number	PC	PU
1	cover	92428000	13	1
2	pump	93321340	65	1
3	screw cover	96762000	1	1
4	support element	92425340	64	1
5	mounting set	92841000	3	1
6	excentric socket	97604000	3	1
7	cover	92427340	99	1
a	cover	42890340	99	1
b	set of adapters	42870340	99	1
c	set of covers	42871340	99	1
d	mounting kit for two-sided glass montage	42841000	99	1