



TECE drain profile shower profile with coloured surface

Article number: 671202

Length: 1200 mm
 Width: 55 mm
 Colour: Brushed gold optic
 DU 1: 1 pc.

Description:

Shower profile for shower drainage, for installation in tile adhesive above the screed and seal.

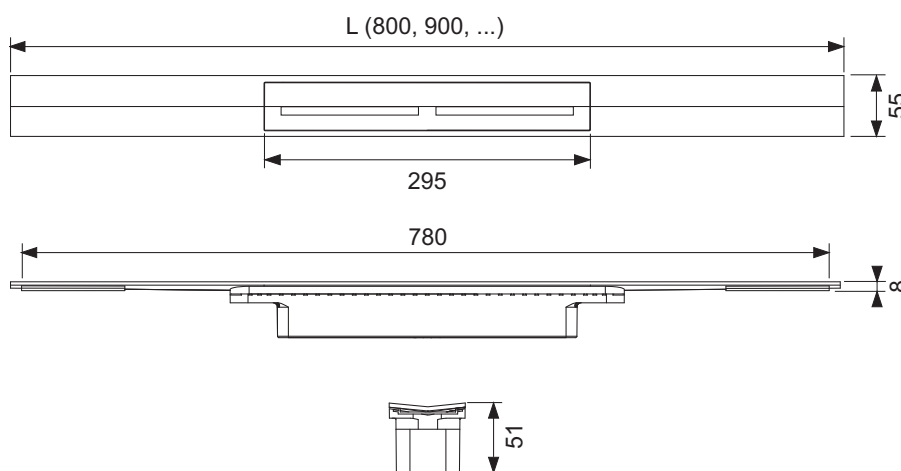
The finishes are colour matched to the TECESquare II metal toilet flush plates.

Consisting of:

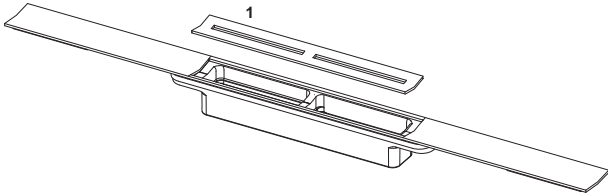
- Shower profile that can be cut to length with internal incline for improved water drainage and self-cleaning effect
- Shower profile can be shortened to ≥ 500 mm
- Profile lid with "Push Function" for removal by hand, durable to load class K3 - maximum test load 300 kg
- Shower profile and profile lid, made of stainless steel material 1.4301 (304) with coloured PVD coating
- Connection pieces for connection with a TECE drain profile drain
- Grip elements for easy installation and solid connection with the tile adhesive
- For floors from 8-25 mm (incl. adhesive bed)
- For flush to the wall installation for wall coverings from 10 mm (incl. adhesive bed)
- For installation at the wall (flush to the wall) or at any specific distance from the wall

Sales data:

Product name: TECE drain profile shower profile, 1200 mm, stainless steel, brushed gold optic
 Commodity group: 608
 Product group: 3006080011



Spare parts:



- 1 675012 Profile lid stainless steel, brushed gold optic