

TECEvelvet toilet flush plate for dual-flush system

Article number: 9240730

Colour: Beige brown

Matching to: FENIX NTM® Castoro Ottawa

Exhibition samples: Yes

DU 1: 1 pc.

DU 2: 10 pc.

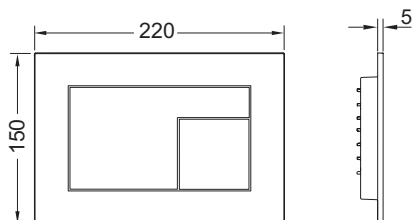
Description:

Flush plate for TECE cisterns, for front or top actuation. Very flat flush plate with FENIX NTM surface (FENIX® by Arpa Industriale). Matt Soft touch surface with anti-fingerprint. Flush buttons with rubber inlays, including actuation rods and mounting materials. Suitable for flush-mounted installation in combination with toilet installation frame and spacing frame. Compatible with insert chute for cleaning tablets.

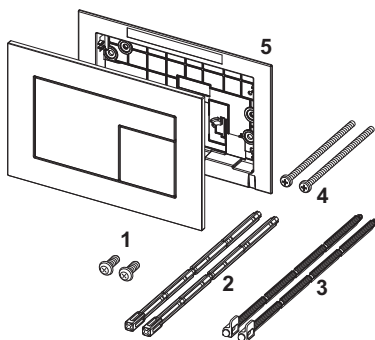
Dimensions (W x H x D): 220 x 150 x 5 mm

Sales data:

Product name: TECEvelvet toilet flush plate Beige Brown
 Commodity group: 904
 Product group: 2009040270



Spare parts:



- | | | |
|---|---------|--|
| 1 | 9820263 | Fastening screws (2003-2020) |
| 2 | 9820022 | Actuation rods (2003-2020) |
| 3 | 9820498 | "easy fit" actuation rods (from 2021) |
| 4 | 9820497 | "easy fit" attachment screws (from 2021) |
| 5 | 9820346 | Support frame |