

## ShowerSelect

Thermostatic mixer HighFlow for concealed installation for multiple outlets

Finish: **Chrome** Art. no. : **15761000**



### Description

#### product features

- designed to run multiple outlets
- Select push-button on / off control for 1 outlet
- thermostat cartridge, start/ stop cartridge
- Maximum flow rate (at 3 bar): 59 l/min
- flow rate upper outlet 59 l/min at 3 bar
- Min. operating pressure: 1 bar
- Max. operating pressure: 10 bar
- Safety stop at 40°C
- Maximum temperature can be adjusted on installation
- Connection type: basic set
- dirt filter included
- thermostat is delivered with button hand shower
- if running with a pump, please specify a universal (negative head) pump
- winner of the iF product design award 2014
- Noise class: I
- WRAS 2211001 - Approval letter
- WRAS 2211001
- EPD\_20230023\_Thermostats

### Article Details

Price excl. VAT

£ 683.33

### Technology



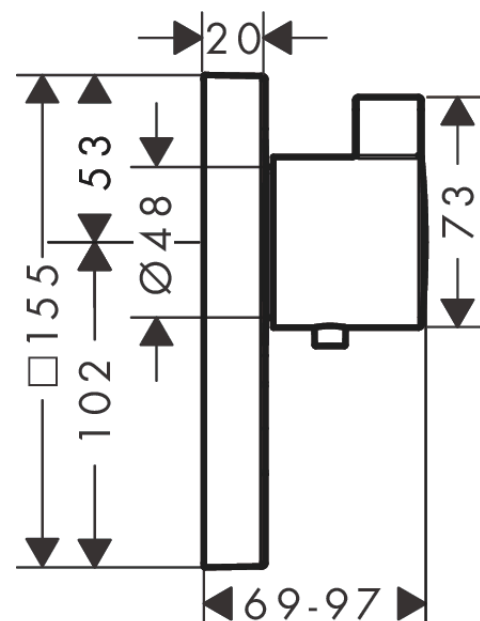
### Certificates / Sustainability



### Product image



### Scale drawing



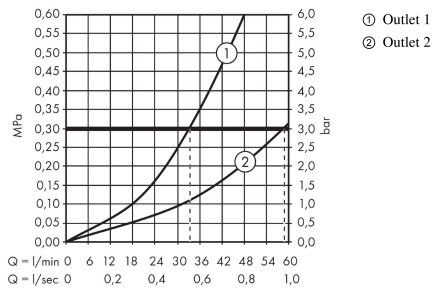
**ShowerSelect**

**Thermostatic mixer HighFlow for concealed installation for multiple outlets**

Finish: **Chrome** Art. no. : **15761000**



**Flowchart**

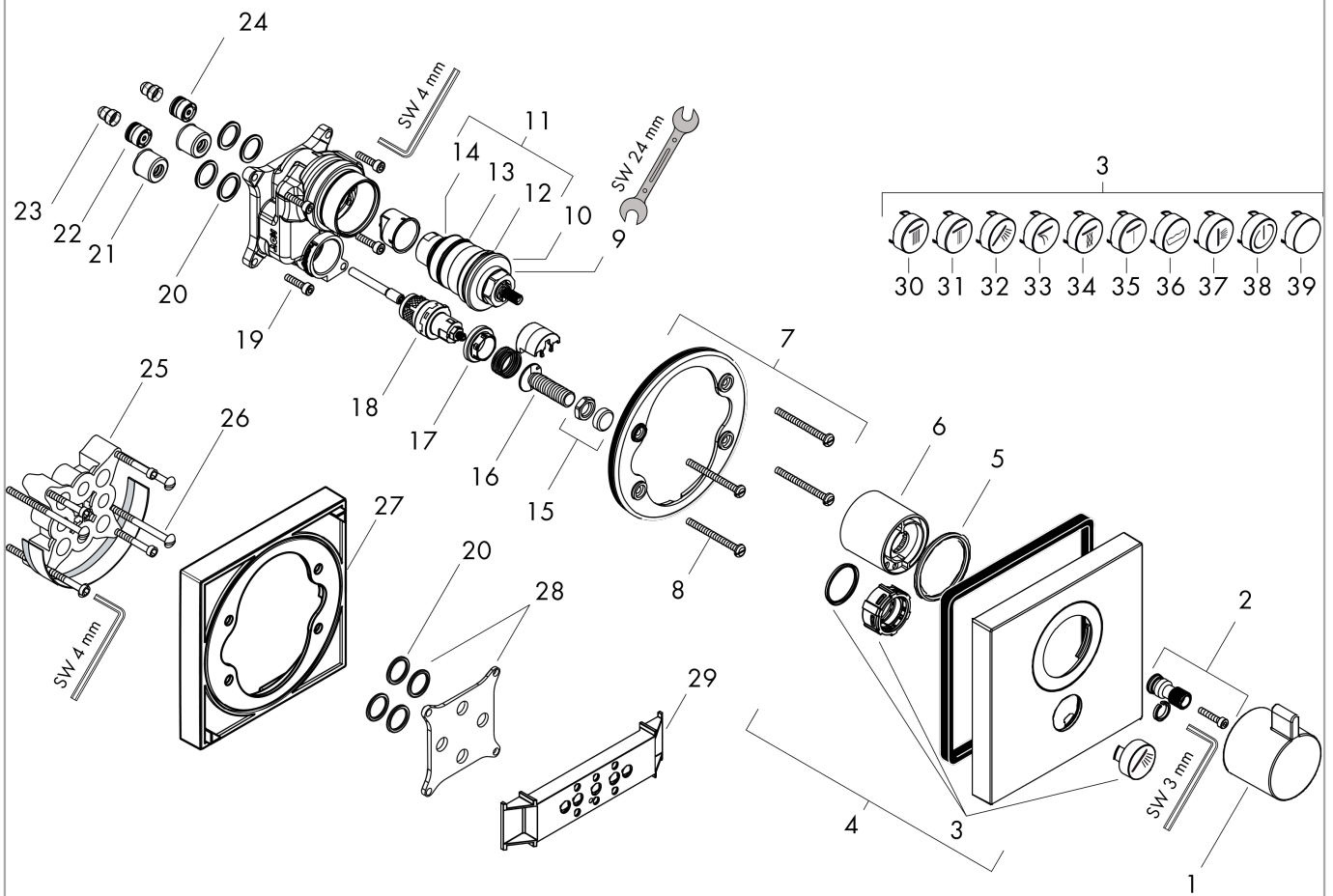


**ShowerSelect**  
**Thermostatic mixer HighFlow for concealed installation for multiple outlets**  
 Finish: **Chrome** Art. no. : **15761000**



**Exploded Drawing**

Year of production: >10/13



## ShowerSelect

Thermostatic mixer HighFlow for concealed installation for multiple outlets

Finish: **Chrome** Art. no. : **15761000**



### Spare part list

Year of production: >10/13

| Pos. | Description                                       | Art. no. | Price | PU |
|------|---|----------|-------|----|
| 1    | handle for thermostat                             | 98474000 | -     | 1  |
| 2    | adapter for handle                                | 96435000 | -     | 1  |
| 3    | set of symbols                                    | 92218000 | -     | 1  |
| 4    | escutcheon 155 / 155 mm                           | 92235000 | -     | 1  |
| 5    | O-ring 48x5                                       | 98174000 | -     | 1  |
| 6    | sleeve  | 97439000 | -     | 1  |
| 7    | holder for escutcheon                             | 98793000 | -     | 1  |
| 8    | set of fixing screws                              | 96454000 | -     | 1  |
| 9    | thermostat cartridge                              | 96633000 | -     | 1  |
| 10   | O-ring 43x1,5                                     | 98148000 | -     | 1  |
| 11   | sealing set                                       | 96636000 | -     | 1  |
| 12   | O-ring 38x2,5                                     | 98198000 | -     | 1  |
| 13   | O-ring 34x2                                       | 98383000 | -     | 1  |
| 14   | O-ring 26x2                                       | 98147000 | -     | 1  |
| 15   | nut and flange                                    | 92696000 | -     | 1  |
| 16   | Select-adapter                                    | 92219000 | -     | 1  |
| 17   | nut   | 98368000 | -     | 1  |
| 18   | shut off unit                                     | 95758000 | -     | 1  |
| 19   | set of screws                                     | 96525000 | -     | 1  |
| 20   | O-ring 16x2                                       | 98133000 | -     | 1  |
| 21   | noise reduction                                   | 94073000 | -     | 1  |
| 22   | non return valve (pressure-resistant up to 2 MPa) | 92594000 | -     | 1  |
| 23   | filter  | 98513000 | -     | 1  |
| 24   | non return valve                                  | 97980000 | -     | 1  |
| 25   | extension 25 mm                                   | 13595000 | -     | 1  |
| 26   | set of fixing screws                              | 97747000 | -     | 1  |
| 27   | extension 22 mm                                   | 13593000 | -     | 1  |
| 28   | compensation set 1°                               | 95521000 | -     | 1  |
| 29   | fit-up aid  | 92540000 | -     | 1  |
| 30   | symbol head shower Rain large                     | 93571880 | -     | 1  |
| 31   | symbol head shower Rain small                     | 93572880 | -     | 1  |
| 32   | symbol handshower                                 | 93573880 | -     | 1  |
| 33   | symbol Flood jet                                  | 93574880 | -     | 1  |
| 34   | symbol Whirl                                      | 93575880 | -     | 1  |
| 35   | symbol Mono                                       | 93576880 | -     | 1  |
| 36   | symbol tub  | 93577880 | -     | 1  |
| 37   | symbol body shower                                | 93578880 | -     | 1  |
| 38   | symbol ON/OFF                                     | 93579880 | -     | 1  |
| 39   | pushbutton  | 93955880 | -     | 1  |
| a    | concealed item                                    | 01800180 | -     | 1  |
| b    | adapter for exchanged connections                 | 93181000 | -     | 1  |

**ShowerSelect**

**Thermostatic mixer HighFlow for concealed installation for multiple outlets**

Finish: **Chrome** Art. no. : **15761000**



**Spare part list**

Year of production: >10/13

| <b>Pos.</b> | <b>Description</b>      | <b>Art. no.</b> | <b>Price</b> | <b>PU</b> |
|-------------|-------------------------|-----------------|--------------|-----------|
| c           | escutcheon 170 / 170 mm | 92661000        | -            | 1         |
| d           | shut off unit (special) | 92361000        | -            | 1         |