

AXOR Uno

Thermostat for concealed installation with shut-off/ diverter valve

Finish: **Brushed Brass** Article Number: **38720950**



product features

- 2 functions
- thermostat cartridge, shut-off valve
- maximum flow rate at 3 bar: 29 l/min
- flow rate upper outlet: 25 l/min
- flow rate lower outlet: 29 l/min
- min. operating pressure: 1 bar
- max. operating pressure: 10 bar
- Safety stop at 40 °C
- temperature limitation adjustable
- non-return valve
- with silencer
- connection type: basic set

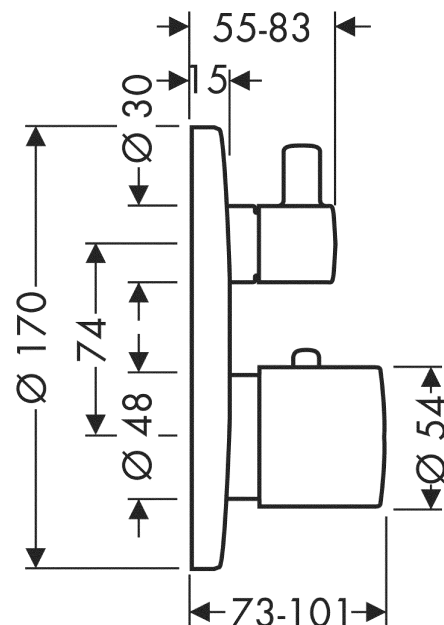
Technology



Product image



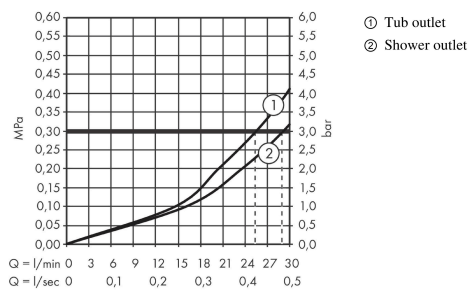
Scale drawing



AXOR Uno
Thermostat for concealed installation with shut-off/ diverter valve
 Finish: **Brushed Brass** Article Number: **38720950**



Flowchart

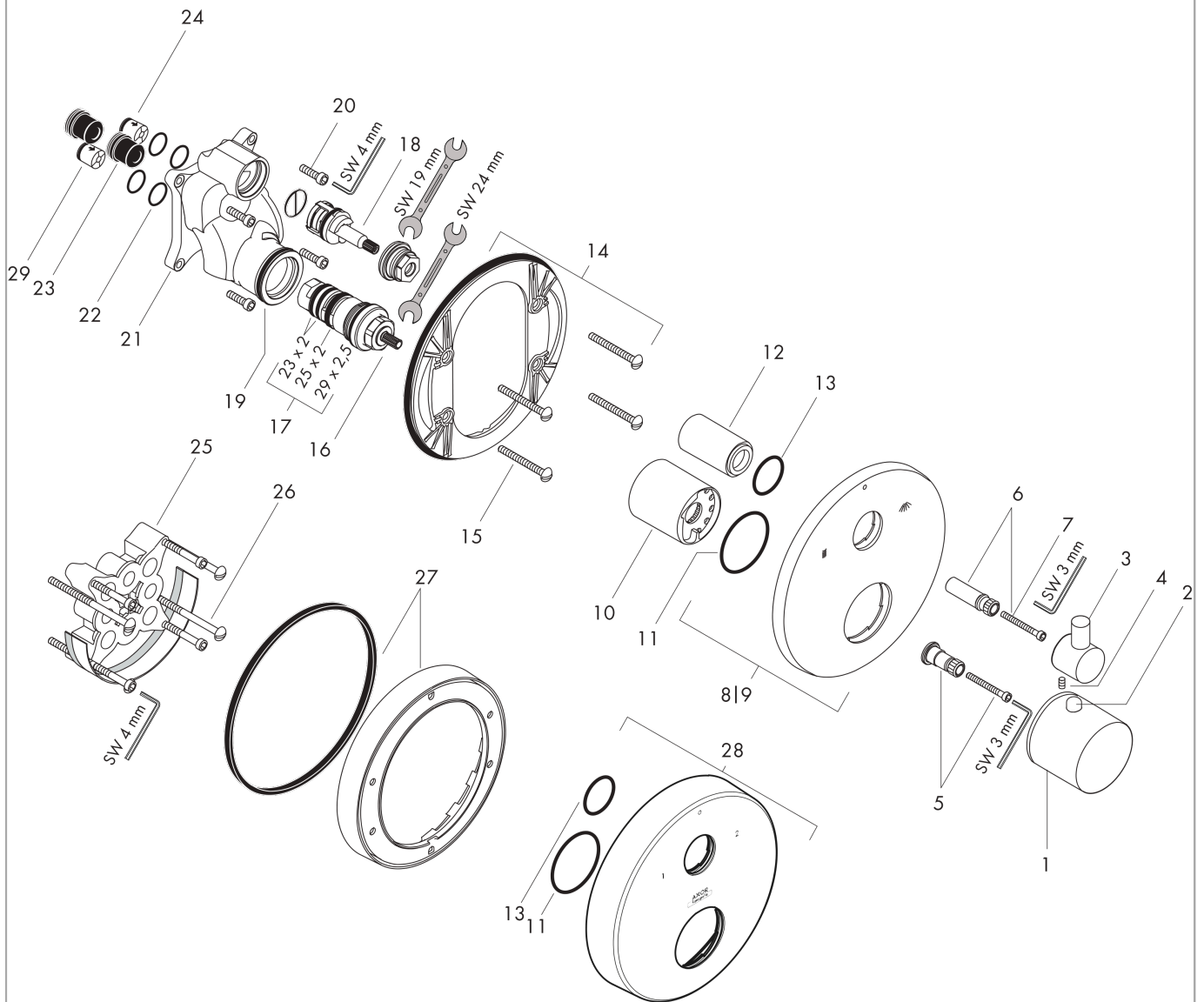


AXOR Uno
Thermostat for concealed installation with shut-off/ diverter valve
 Finish: **Brushed Brass** Article Number: **38720950**



Exploded Drawing

Year of production: >01/17



AXOR Uno

Thermostat for concealed installation with shut-off/ diverter valve

Finish: **Brushed Brass** Article Number: **38720950**



Spare part list

Year of production: >01/17

| Pos. | | Article Number | PC | PU |
|------|---|----------------|----|----|
| 1 | handle for thermostat | 38391950 | 61 | 1 |
| 2 | pushbutton | 92848950 | 52 | 1 |
| 3 | handle | 96421950 | 61 | 1 |
| 4 | hollow set screw M4x8 | 97669000 | 1 | 1 |
| 5 | adapter for handle | 96435000 | 6 | 1 |
| 6 | adapter for handle | 96451000 | 5 | 1 |
| 7 | hexagon socket screw M4x35 | 92160000 | 1 | 1 |
| 8 | escutcheon Ø 170 mm | 95805000 | 15 | 1 |
| 9 | escutcheon for exchanged connections | 97193000 | 11 | 1 |
| 10 | sleeve | 96439950 | 59 | 1 |
| 11 | O-Ring 48x3 | 95508000 | 1 | 1 |
| 12 | sleeve | 96446950 | 61 | 1 |
| 13 | O-ring 29x3 | 98371000 | 2 | 1 |
| 14 | sub plate | 96447000 | 10 | 1 |
| 15 | set of fixing screws | 96454000 | 3 | 1 |
| 16 | thermostat cartridge | 94282000 | 15 | 1 |
| 17 | sealing set | 95037000 | 10 | 1 |
| 18 | shut off unit with selector | 96509000 | 13 | 1 |
| 19 | O-ring 39x2 | 98158000 | 1 | 1 |
| 20 | set of screws | 96525000 | 3 | 1 |
| 21 | installation unit cpl. | 92591000 | 19 | 1 |
| 22 | O-ring 16x2 | 98133000 | 1 | 1 |
| 23 | noise reduction | 94073000 | 7 | 1 |
| 24 | set of non return valves DW 15 | 94074000 | 5 | 1 |
| 25 | extension 25 mm | 13595000 | 99 | 1 |
| 26 | set of fixing screws | 97747000 | 1 | 1 |
| 27 | extension 22 mm (Ø 170 mm) | 13596950 | 99 | 1 |
| 28 | escutcheon height = 33 mm (when wall is not deep enough). | 14962950 | 99 | 1 |
| 29 | non return valve (pressure-resistant up to 2 MPa) | 92594000 | 5 | 1 |
| a | concealed item | 01800180 | 99 | 1 |
| b | adapter for exchanged connections | 93181000 | 18 | 1 |
| c | pushbutton red | 97212000 | 7 | 1 |
| d | non return valve with filter | 92499000 | 5 | 1 |