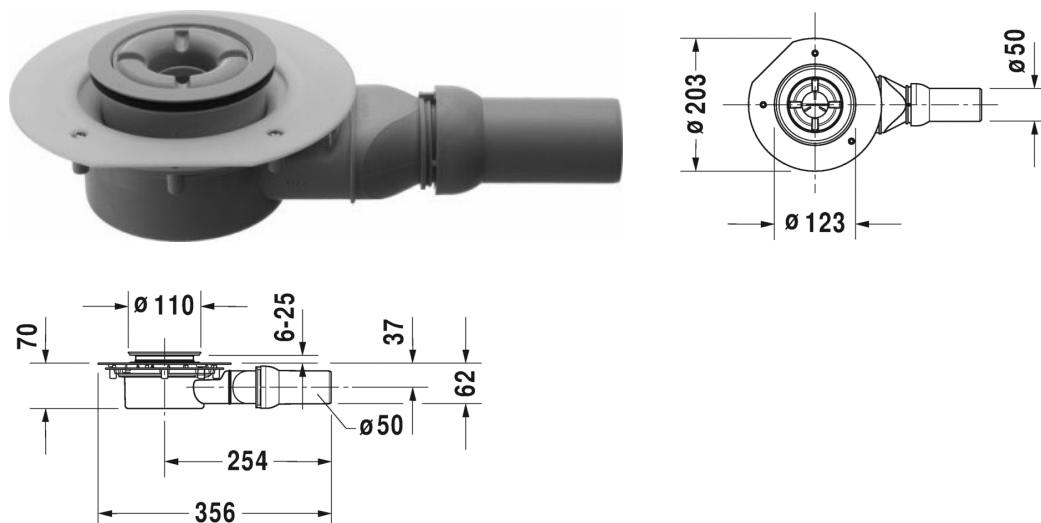


Accessories Outlet drain # 791243



Outlet drain	Dimension	Weight	Order number
for Stonetto shower trays, horizontal outlet, for installation with support frame or support, Drain flow rate: 0,6 l/s (according to DIN EN 274), **, outlet diameter 90 mm			
Colors			
Variant			
Infobox			
** If DuroCast® shower trays will be installed with support frame or support, the outlet drain # 791243 00 0 00 0000 is mandatory. If installed without support frame or support, please use outlet drains # 790263 00 0 00 1000 or # 790269 00 0 00 1000			

All drawings contain the necessary measurements which are subject to standard tolerances. They are stated in mm and are non-binding. Exact measurements, in particular for customised installation scenarios, can only be taken from the finished piece.