

## Rebris S

Single lever basin mixer for concealed installation wall-mounted with spout 20 cm

Finish: **Matt Black** Art. no. : **72528670**



### Description

#### product features

- Consists of: single lever basin mixer for concealed installation, waste set
- spout 200 mm long
- Handle variant: Lever
- wall-mounted
- Spray pattern: normal spray
- Maximum flow rate (at 3 bar): 5 l/min
- Min. operating pressure: 1 bar
- Max. operating pressure: 10 bar
- ceramic cartridge
- free flow non-closing waste
- Material waste set: metal
- handle can be positioned on the right or left, depending on the basic set installation
- WRAS 2303356
- WRAS 2303356 - Approval letter 2303356

### Article Details

Price excl. VAT

£ 224.17

### Technology



### Design awards



reddot winner 2022



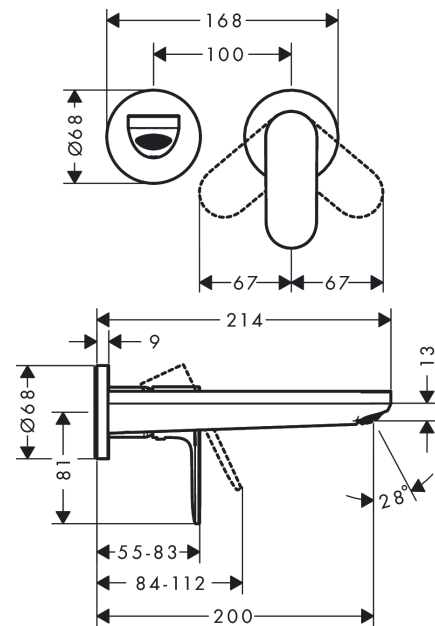
### Certificates / Sustainability



### Product image



### Scale drawing



**Rebris S**

**Single lever basin mixer for concealed installation wall-mounted with spout 20 cm**

Finish: **Matt Black** Art. no. : **72528670**



**Flowchart**



**Rebris S**

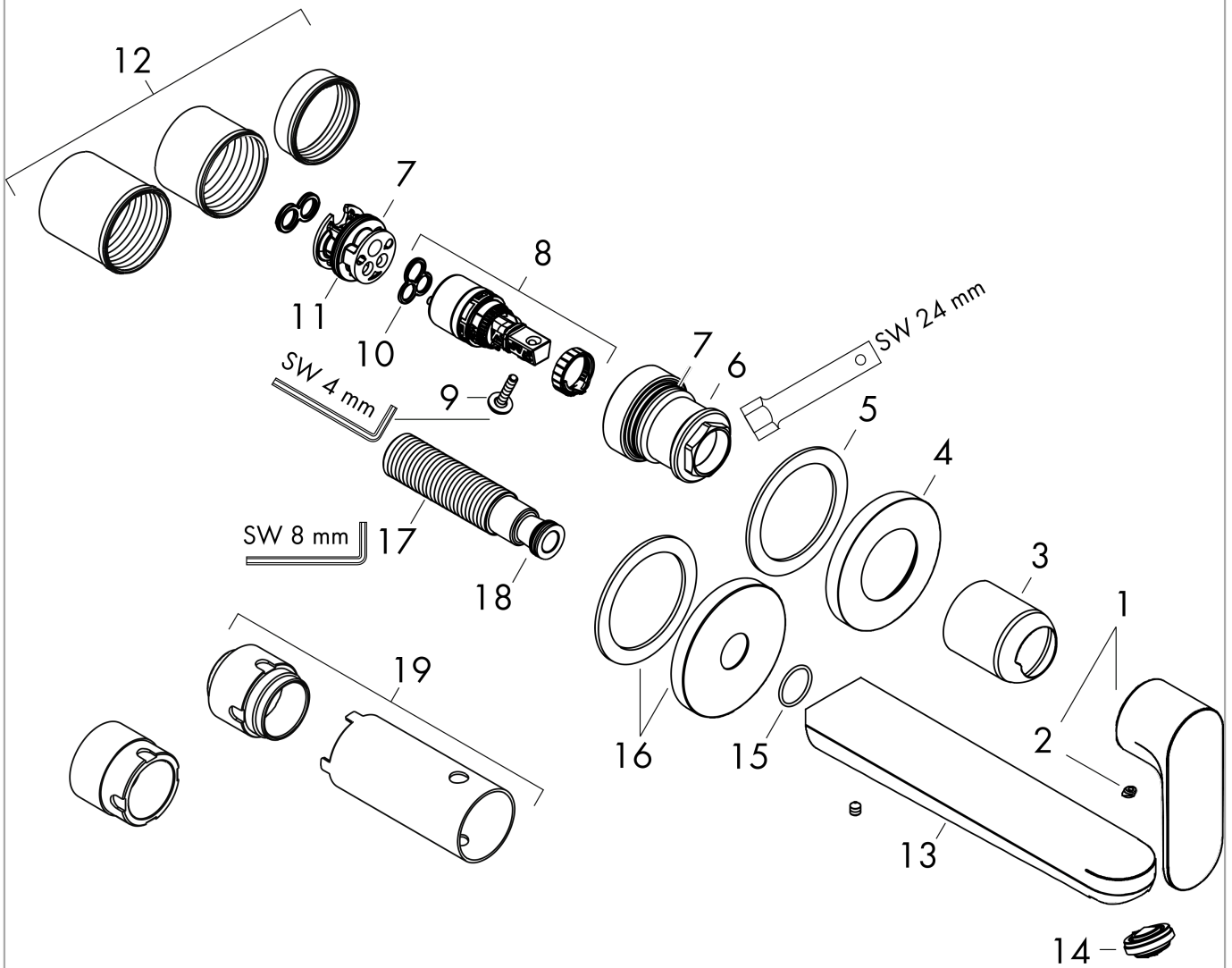
Single lever basin mixer for concealed installation wall-mounted with spout 20 cm

Finish: **Matt Black** Art. no. : **72528670**



**Exploded Drawing**

Year of production: >06/22



**Rebris S****Single lever basin mixer for concealed installation wall-mounted with spout 20 cm**Finish: **Matt Black** Art. no. : **72528670****Spare part list**

Year of production: &gt;06/22

Pos.	Description	Art. no.	Price	PU
1	handle	94648670	-	1
2	screw cover	96338610	-	1
3	sleeve	93053670	-	1
4	escutcheon Ø 68 mm	93052670	-	1
5	washer	97600000	-	1
6	nut	93141000	-	1
7	O-ring 26x2	98147000	-	1
8	cartridge, assy	95973001	-	1
9	locking screw for handle	95140000	-	1
10	seal	98865000	-	1
11	adapter for cartridge	95634000	-	1
12	fixing set	97971000	-	1
13	spout 220 mm	94649670	-	1
14	aerator M24x1 (5 l/min)	94364000	-	1
15	O-ring 18x1,5	98231000	-	1
16	escutcheon for spout	93987670	-	1
17	connecting thread G½	95626000	-	1
18	O-ring 13x2	98128000	-	1
19	extension set 25 mm for 13622180	31971000	-	1
a	base body	13622180	-	1
b	waste	50001670	-	1