

**TECE filling valve F 10 universal**

Article number: 9820353

DU 1: 1 pc.

DU 2: 10 pc.

DU 3: 240 pc.

Description:

Universal filling valve for installation in all TECE cisterns as well as almost all standard flush-mounted and wall-mounted cisterns from other manufacturers.

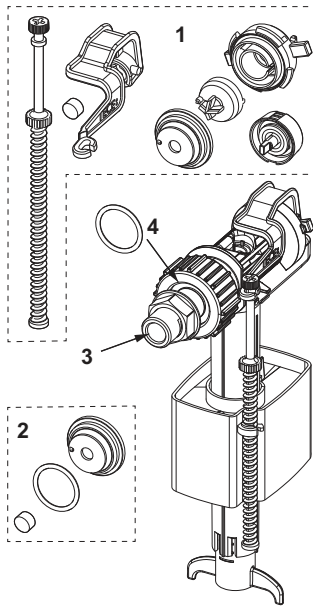
Product details:

- 3/8" metal connection thread
- Flow pressure 0.5-10 bar
- Minimum flow pressure 0.5 bar
- Adjustable fill height
- Adjustable outflow pipe
- Low-noise in accordance with group I (DIN 4109)
- Compact design
- Incl. adapter and attachment nut

Sales data:

Product name: TECE universal filling valve F 10
Commodity group: 905
Product group: 2009050070

Spare parts:



- | | | |
|---|---------|---|
| 1 | 9820382 | Filling valve F 10 valve lever set |
| 2 | 9820383 | Filling valve F 10 sealing kit |
| 3 | 9820398 | Filling valve F 10 threaded connection 3/8" |
| 4 | 9820587 | Filling valve F 10 water connection O-ring M 30 |