

## Pipe trap easy to install

Surfaces: **Chrome** Article Number: **53010000**



### Description

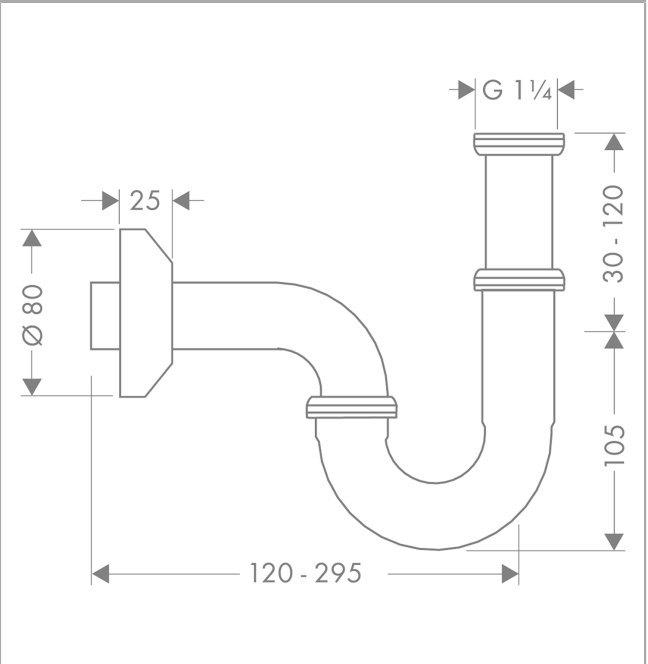
#### product features

- adjustment distance 30 - 120 mm
- distance to wall 300 mm
- odour trap - backwater height is 50 mm
- connection dimension entry: G 1¼

### Product image



### Scale drawing



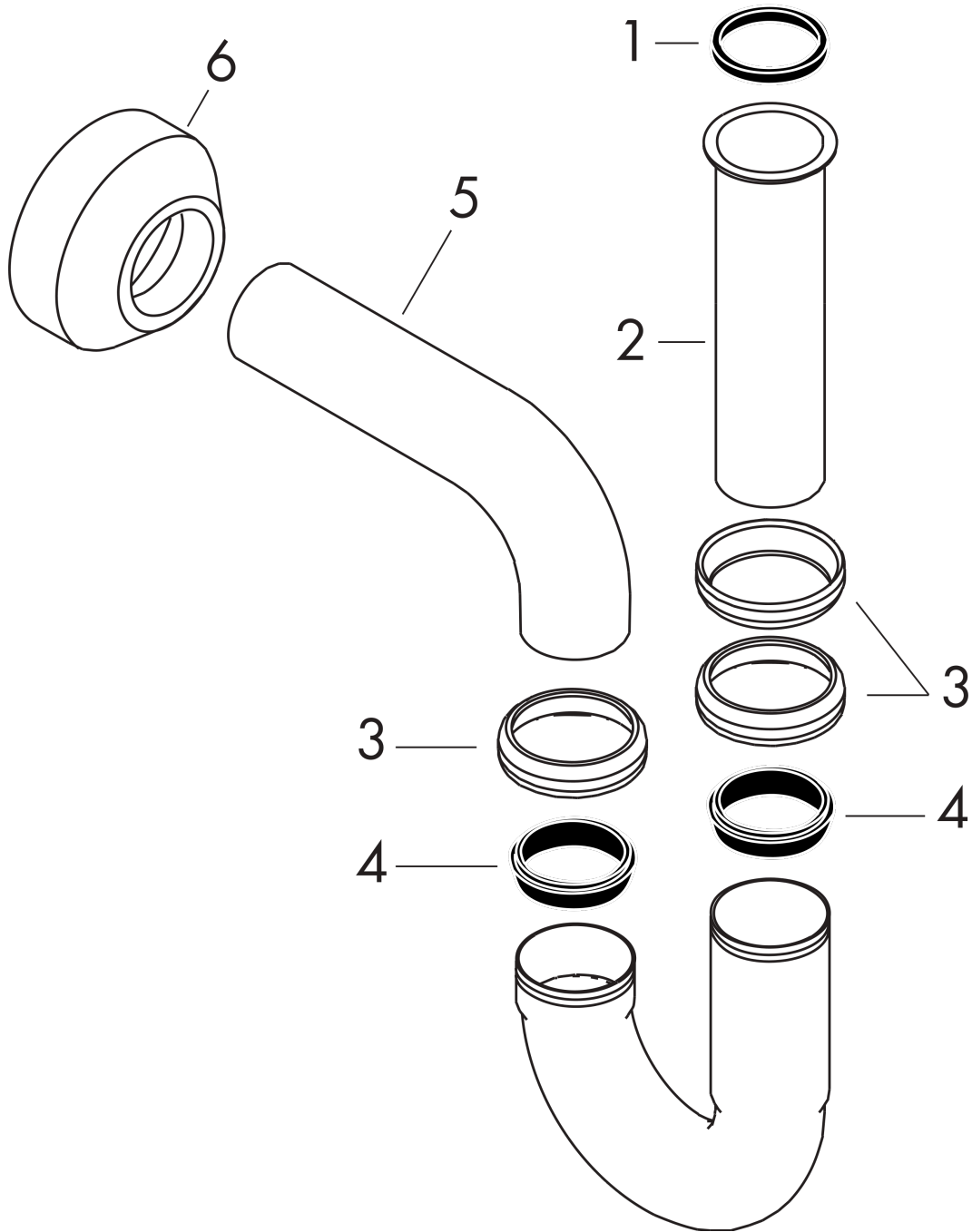
**Pipe trap easy to install**

Surfaces: **Chrome** Article Number: **53010000**



**Exploded Drawing**

Year of production: >04/82



**Pipe trap easy to install**

Surfaces: **Chrome** Article Number: **53010000**



**Spare part list**

Year of production: >04/82

<b>Pos.</b>	<b>Description</b>	<b>Article Number</b>	<b>Price</b>	<b>PU</b>
1	seal 1¼"	53971000	€ 3,21	1
2	pipe 1¼" 300 mm	53428000	-	1
4	wedge-shaped seal 1¼"	53985000	€ 3,21	1
5	bent outlet basin-trap 300 mm	53555000	-	1
6	escutcheon	53968000	€ 8,45	1