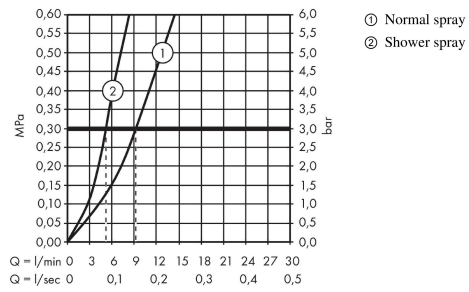




**Talis M51**  
**Single lever kitchen mixer 200, pull-out spray, 2jet**  
 Surfaces: **Stainless Steel Finish** Article Number: **72813800**



Flowchart



**Talis M51**

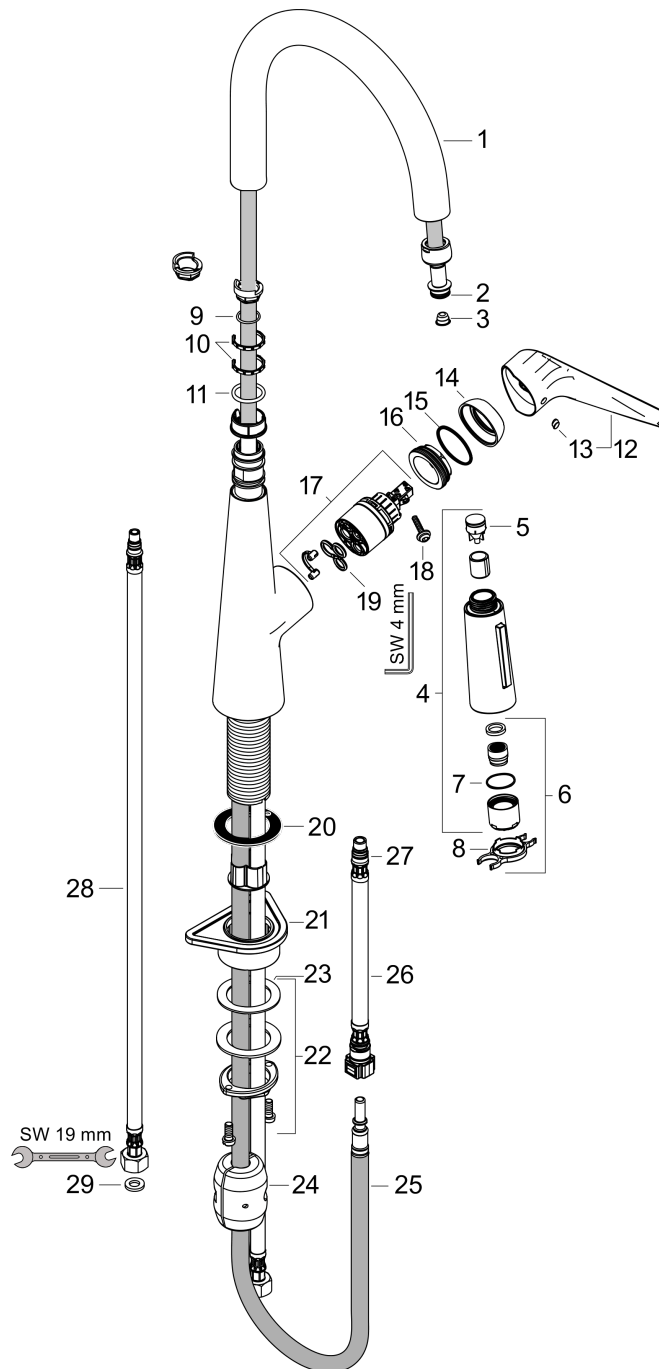
**Single lever kitchen mixer 200, pull-out spray, 2jet**

Surfaces: **Stainless Steel Finish** Article Number: **72813800**



**Exploded Drawing**

Year of production: >06/15



## Talis M51

Single lever kitchen mixer 200, pull-out spray, 2jet

Surfaces: **Stainless Steel Finish** Article Number: **72813800**



### Spare part list

Year of production: >06/15

Pos.	Description	Article Number	Price	PU
1	spout cpl.	92731800	€ 249,90	1
2	O-ring 11x2	98127000	€ 3,21	1
3	filter	97735000	€ 3,21	1
4	handspray	92732000	€ 124,95	1
5	non return valve	96737000	€ 28,20	1
6	aerator laminar M22x1 (15 l/min)	95909000	€ 44,63	1
7	O-ring 20x1	98140000	€ 3,21	1
8	service tool	95910000	€ 8,45	1
9	O-ring 16x1,5	98483000	€ 3,21	1
10	set of lever collars	98365000	€ 8,45	1
11	O-ring 21x2,5	98211000	€ 3,21	1
12	handle	92581800	€ 86,16	1
13	screw cover	96338000	€ 3,21	1
14	flange	95498800	€ 22,37	1
15	nut	97209000	€ 13,92	1
16	O-Ring 32x2	98193000	€ 3,21	1
17	cartridge, assy	92730000	€ 57,12	1
18	locking screw for handle	95140000	€ 5,24	1
19	seal	95008000	€ 8,45	1
20	seal	92582000	€ 3,21	1
21	support	97523000	€ 5,24	1
22	fixing set (Ø 34)	95049000	€ 13,92	1
23	lever collar	97548000	€ 3,21	1
24	weight	98551000	€ 18,33	1
25	hose 1,50 m	95507000	€ 70,57	1
26	connection hose 600 mm M10x1	95561000	€ 22,37	1
27	O-ring 7x1,5	98422000	€ 3,21	1
28	connection hose 900 mm M8x0,75 G3/8	96316000	€ 35,94	1
29	sealing set	95581000	€ 5,24	1