

**Talis S**  
**Single lever basin mixer 100 without waste set**  
 Surfaces: **Chrome** Article Number: **72021000**



### Description

**product features**

- ComfortZone 100
- projection: 93 mm
- spout height: 98 mm
- spray type: normal spray
- maximum flow rate at 3 bar: 5 l/min
- ceramic cartridge
- temperature limitation adjustable
- suitable for continuous flow water heaters
- connection type: G 3/8 connections
- connection dimension: DN15

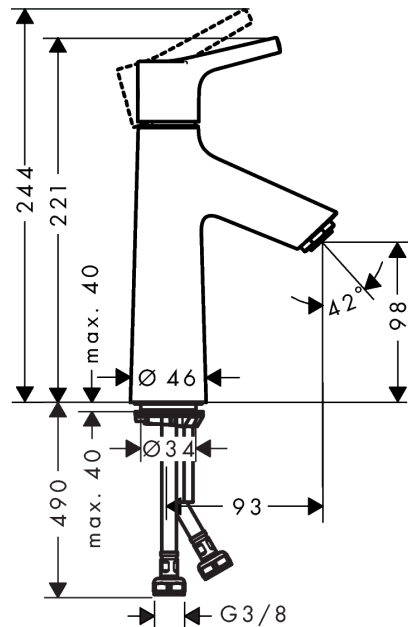
### Technology



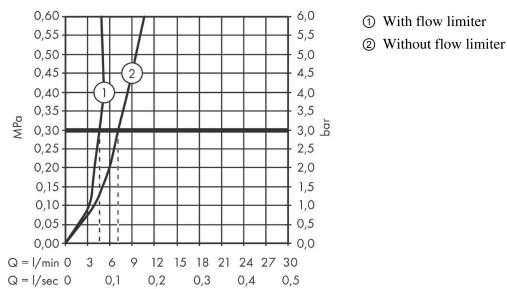
### Product image



### Scale drawing



### Flowchart

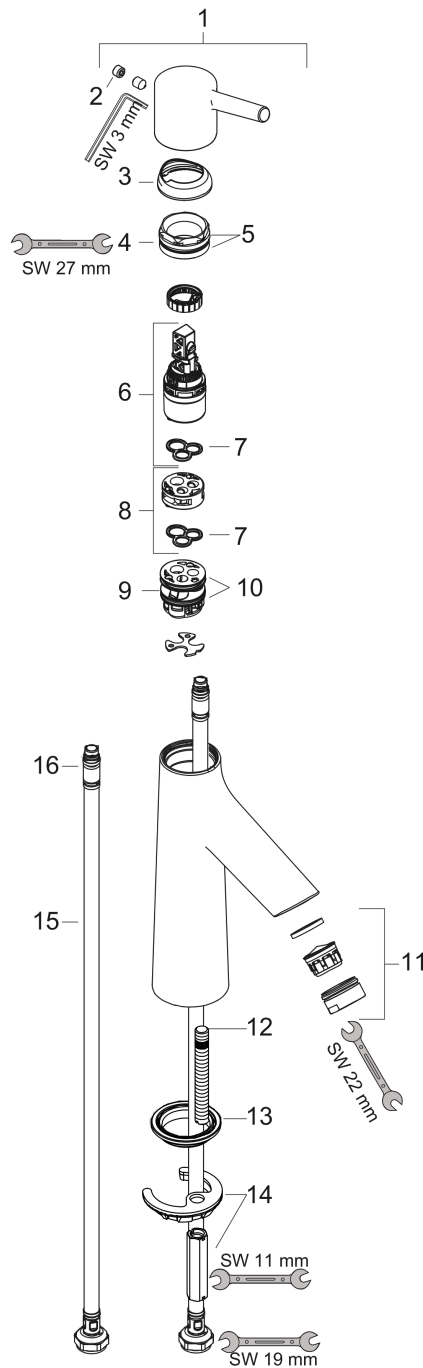


**Talis S**  
**Single lever basin mixer 100 without waste set**  
 Surfaces: **Chrome** Article Number: **72021000**



**Exploded Drawing**

Year of production: >04/17



**Talis S****Single lever basin mixer 100 without waste set**Surfaces: **Chrome** Article Number: **72021000****Spare part list**

Year of production: &gt;04/17

Pos.	Description	Article Number	Price	PU
1	handle	92626000	€ 28,20	1
2	screw cover	95704000	€ 3,21	1
3	flange	92625000	€ 28,20	1
4	nut	92627000	€ 18,33	1
5	O-ring 27x1,5	92527000	€ 11,31	1
6	cartridge, assy	97685000	€ 57,12	1
7	seal	98865000	€ 28,20	1
8	adapter for cartridge	92628000	€ 18,33	1
9	adapter for cartridge	98866000	€ 28,20	1
10	O-ring 23x2	98398000	€ 3,21	1
11	aerator M24x1 (5 l/min)	13185000	-	1
12	screw M8 x 68	97736000	€ 5,24	1
13	seal	97608000	€ 5,24	1
14	fixing set	96016000	€ 28,20	1
15	connection hose 600 mm M8x0,75 G3/8	96556000	€ 22,37	1
16	O-ring 6,6x1,6	93019000	€ 3,21	1