

Exafill S

Basic set bath filler, waste and overflow set for standard bath tubs

Surfaces: n.a. Article Number: 58115180



Description

product features

- consists of: basic set, bath tub trap
- suitable for standard bath tubs, with bellows for bath tubs with slanted bath rim
- bowden cable length 520 mm
- odour trap - backwater height is 50 mm
- supply hose water connection left DN20

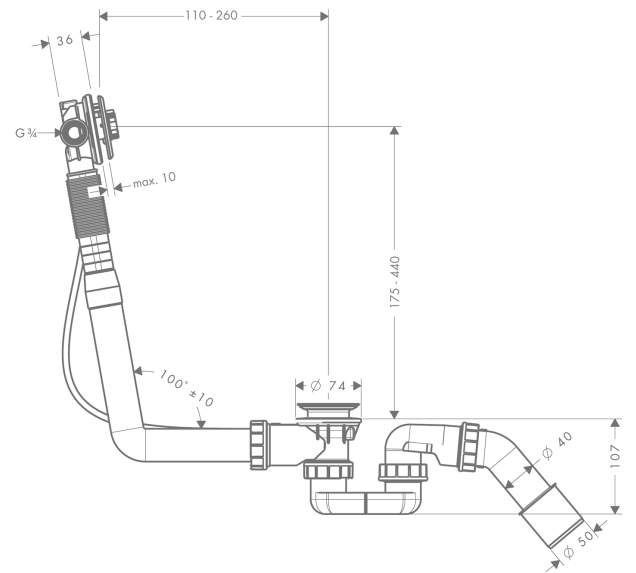
Certificates



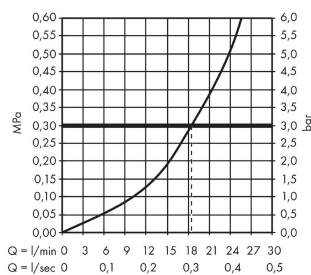
Product image



Scale drawing



Flowchart



Exafill S

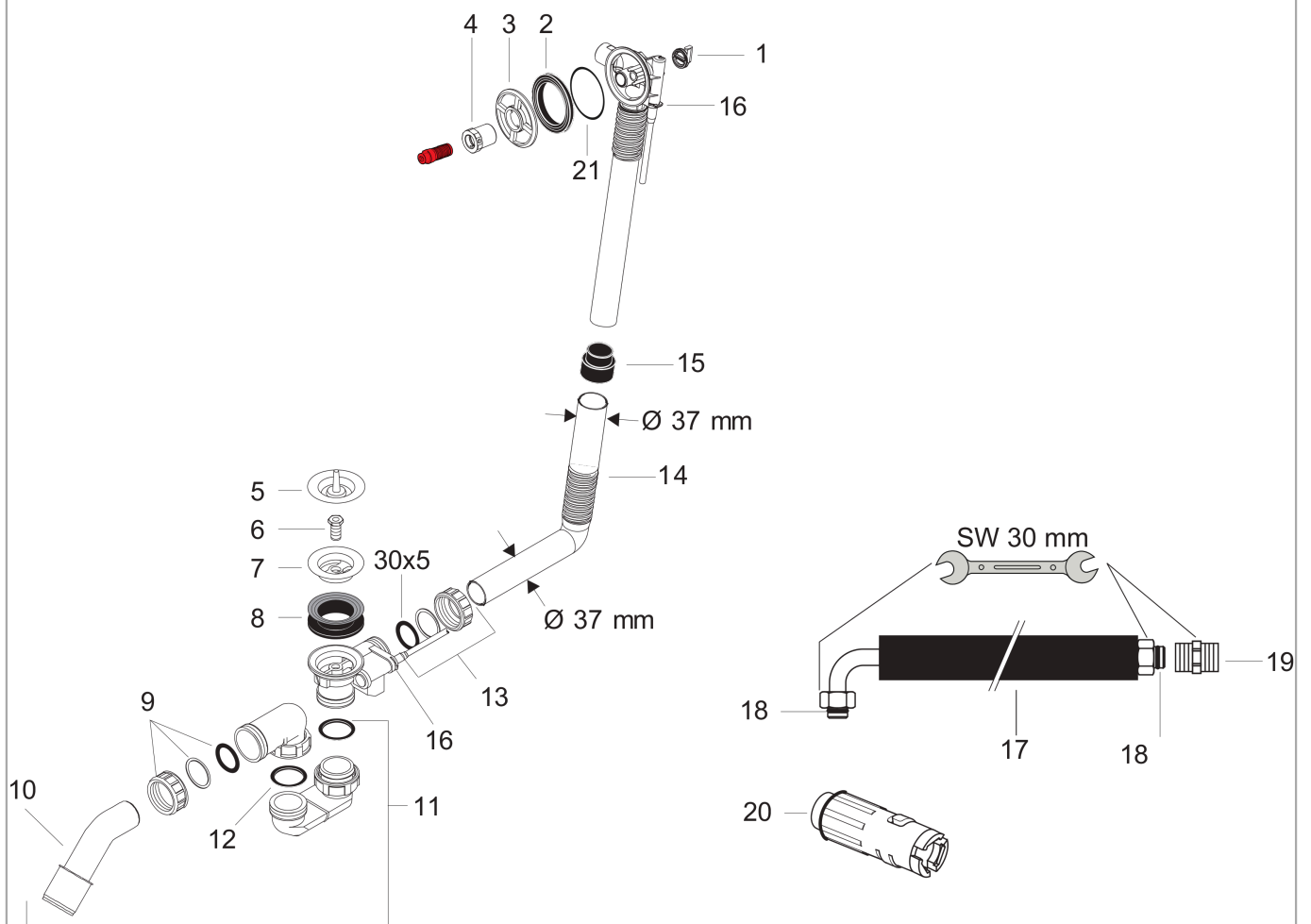
Basic set bath filler, waste and overflow set for standard bath tubs

Surfaces: n.a. Article Number: **58115180**



Exploded Drawing

Year of production: >04/07



Exafill S

Basic set bath filler, waste and overflow set for standard bath tubs

Surfaces: n.a. Article Number: 58115180



Spare part list

Year of production: >04/07

Pos.	Description	Article Number	Price	PU
1	cover	97580000	€ 3,21	1
2	form ring	95969000	€ 11,31	1
3	fixing ring	97579000	€ 18,33	1
4	locking screw	97573000	€ 44,63	1
5	plug	97577000	€ 3,21	1
6	hollow screw	94301000	€ 5,24	1
7	jumber plate	97581000	€ 18,33	1
8	triple seal	96093000	€ 8,45	1
9	sleeve nut	96332000	€ 8,45	1
10	bent outlet	96221000	€ 8,45	1
11	trap cpl.	56373000	-	1
12	flat seal	98075000	€ 8,45	1
13	sleeve nut	95424000	€ 5,24	1
14	pipe bend	98126000	€ 28,20	1
15	packing	97578000	€ 13,92	1
16	cramp	97749000	€ 3,21	1
17	connection hose	58192000	-	1
18	O-ring 16x2,5	98134000	€ 3,21	1
19	connecting thread G ³ / ₄	96143000	€ 13,92	1
20	special tool set	58085000	€ 8,45	1
21	O-ring 65x2	98472000	€ 8,45	1