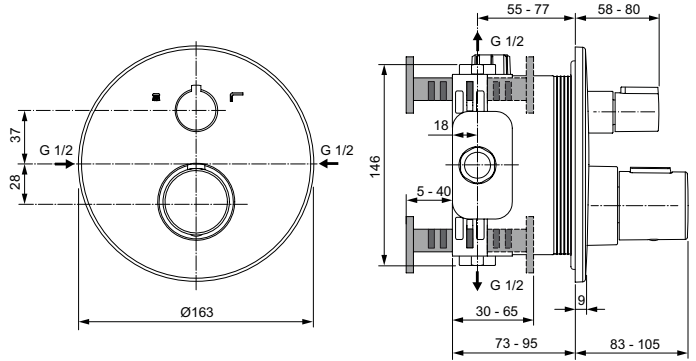




Ideal Standard

BATH-SHOWER MIXERS

Ceratherm T100



Article-No.: A5814XG

Built-in thermostatic bath&shower mixer

Built-in thermostatic individual bath & shower mixer Kit 2 (external part), IS Thermostatic cartridge and 2-way On/Off ceramic disc valve 90° with integrated Bath & Shower diverter, Without accessories. To be used only in combination with A1000NU Kit 1 (internal part).

Colour: XG - Silk Black

Technology: FirmaFlow Therm, Click Technology

More product details:

Type:	With Integrated diverter
Mounting:	Built-in
Operation Type:	Thermostatic
Style:	Contemporary
Accreditations:	EN1111
Operation Pressure (bar):	3
Flow Rate (litre):	22
Net Weight (kg):	1,7
Material:	Powder coated brass
Height (mm):	163
Width (mm):	163
Depth (mm):	105
Packaging Elements:	Kit 2