

Raindance S

Overhead shower 240 1jet PowderRain with ceiling connector

Surfaces: **Chrome** Article Number: **27620000**



Description

product features

- consists of: overhead shower, ceiling connector
- shower head size: 240 mm
- spray type: PowderRain
- ball-joint: overhead shower angle adjustable
- material spray disc: metal
- ceiling connection length: 100 mm
- maximum flow rate at 3 bar: 18,1 l/min
- flow rate PowderRain spray (at 3 bar): 18,1 l/min
- minimum flow pressure: 1,5 bar
- spray disc removable for cleaning
- installation: ceiling
- connection thread G ½
- connection dimension: DN15
- suitable for continuous flow water heaters

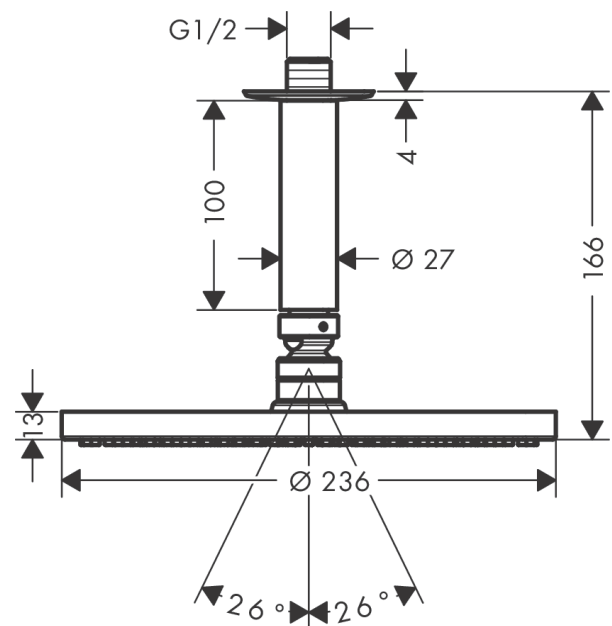
Technology



Product image



Scale drawing



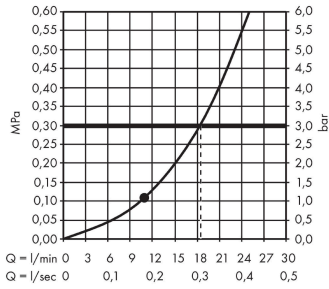
Raindance S

Overhead shower 240 1jet PowderRain with ceiling connector

Surfaces: **Chrome** Article Number: **27620000**



Flowchart



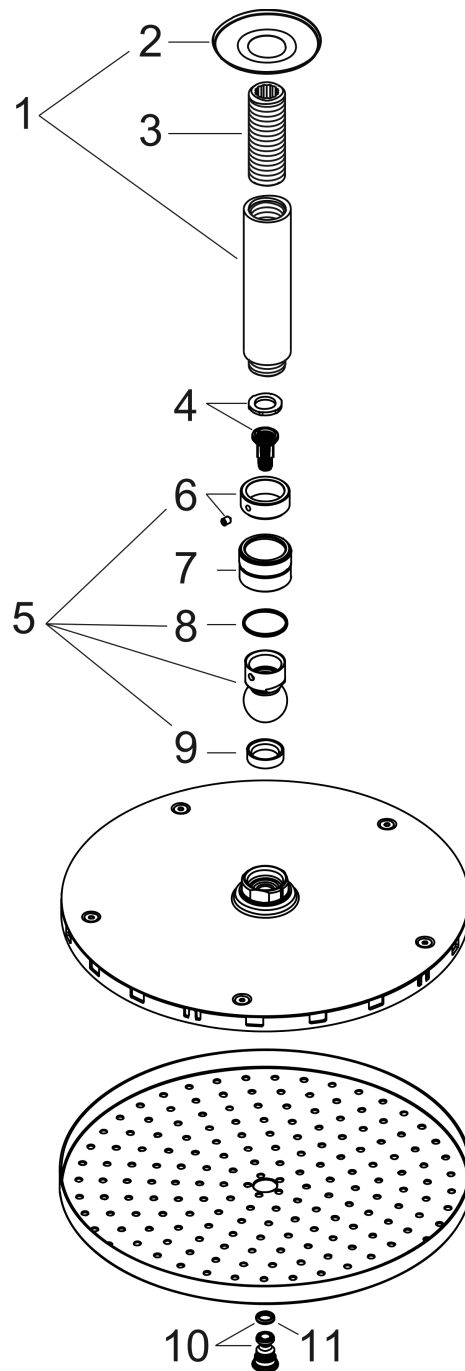
The consumption was measured in combination with the appropriate fittings (thermostat/mixer/in-wall valve) to reflect actual application in practice.

Raindance S
Overhead shower 240 1jet PowderRain with ceiling connector
 Surfaces: **Chrome** Article Number: **27620000**



Exploded Drawing

Year of production: >04/18



Raindance S**Overhead shower 240 1jet PowderRain with ceiling connector**Surfaces: **Chrome** Article Number: **27620000****Spare part list**

Year of production: >04/18

Pos.	Description	Article Number	Price	PU
1	shower arm	27479000	-	1
2	escutcheon	97734000	€ 8,45	1
3	connecting thread	95188000	€ 28,20	1
4	filter insert	97708000	€ 5,24	1
5	ball joint	98941000	€ 35,94	1
6	lock washer	98942000	€ 18,33	1
7	nut	97958000	€ 5,24	1
8	lever collar	97536000	€ 5,24	1
9	seal	97606000	€ 5,24	1
10	screw	95796000	€ 28,20	1
11	O-ring 7x2	98419000	€ 3,21	1