

AXOR Starck
Single lever kitchen mixer 270 with pull-out spray
 Surfaces: **Brushed Black Chrome** Article Number: **10821340**



product features

- handle can be positioned on the right or left
- ComfortZone 270
- swivel range adjustable in 2 steps to 110° or 150°
- shower spray, laminar spray
- lockable shower spray, spray returns through pressing spray diverter
- MagFit magnetic shower support
- quick connect hose
- connection dimension: DN15
- maximum flow rate at 3 bar: 9 l/min
- joystick ceramic cartridge
- connection type: G 3/8 connections
- integrated non-return valve
- suitable for continuous flow water heaters
- extension length up to 50 cm

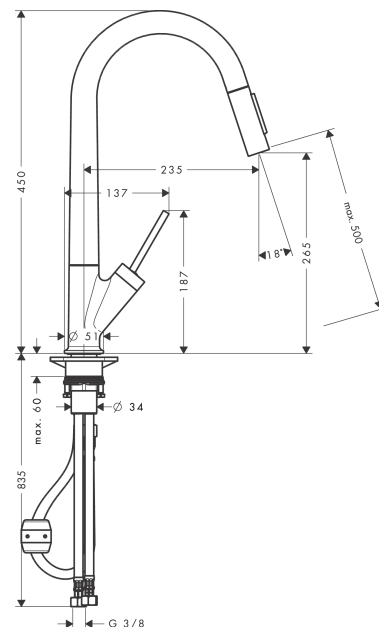
Technology



Product image



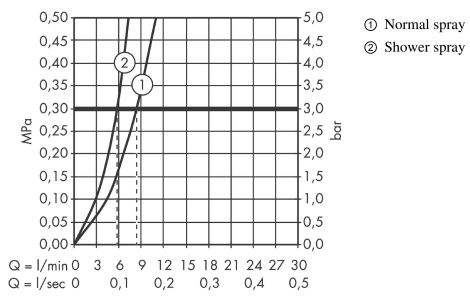
Scale drawing



AXOR Starck
Single lever kitchen mixer 270 with pull-out spray
 Surfaces: **Brushed Black Chrome** Article Number: **10821340**



Flowchart

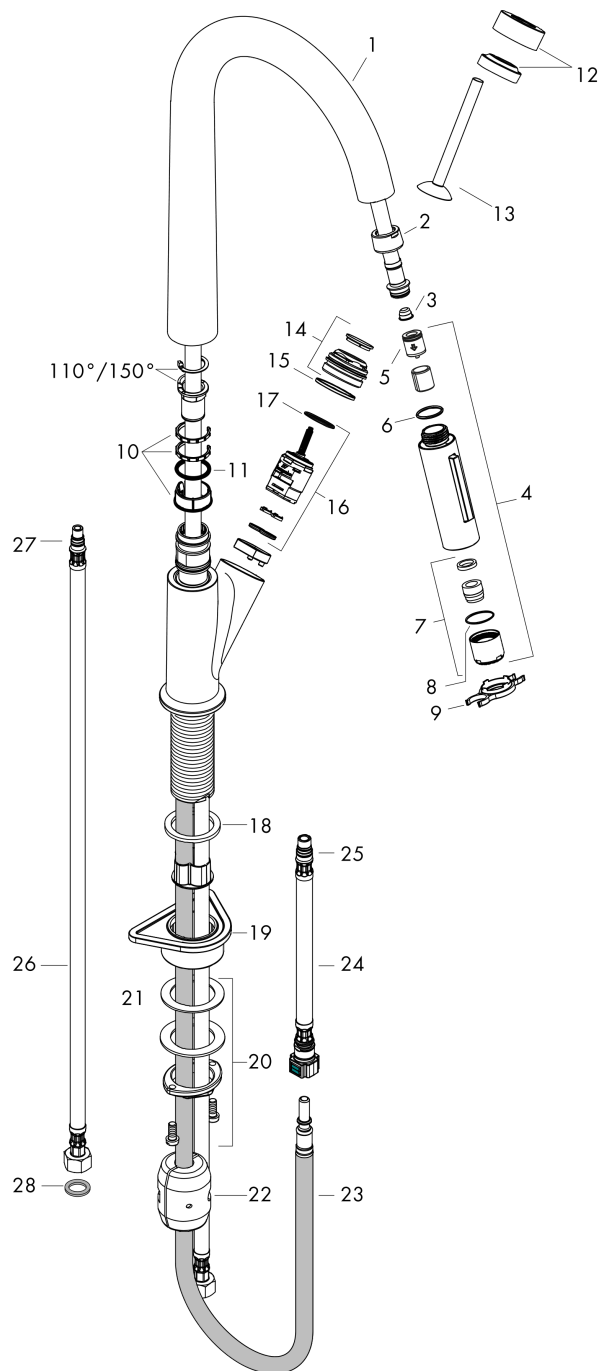


AXOR Starck
Single lever kitchen mixer 270 with pull-out spray
Surfaces: **Brushed Black Chrome** Article Number: **10821340**



Exploded Drawing

Year of production: >11/19



AXOR Starck
Single lever kitchen mixer 270 with pull-out spray
 Surfaces: **Brushed Black Chrome** Article Number: **10821340**



Spare part list

Year of production: >11/19

Pos.		Article Number	Price	PU
1	spout cpl.	95907340	€ 601,90	1
2	nut	92755000	€ 18,33	1
3	filter	97735000	€ 3,21	1
4	handspray	95908340	€ 243,12	1
5	set of non return valves DW 15	94074000	€ 13,92	1
6	O-ring 18x1,5	98231000	€ 3,21	1
7	aerator laminar M22x1 (15 l/min)	95909000	€ 44,63	1
8	O-ring 20x1	98140000	€ 3,21	1
9	service tool	95910000	€ 8,45	1
10	set of lever collars	98365000	€ 8,45	1
11	O-ring 21x2,5	98211000	€ 3,21	1
12	flange	97155340	€ 53,91	1
13	handle	95893340	€ 243,12	1
14	nut	97157000	€ 18,33	1
15	O-Ring 30x2	98186000	€ 3,21	1
16	cartridge, assy	96339000	€ 70,57	1
17	O-ring 21,95x1,78	95169000	€ 3,21	1
18	flat seal	98749000	€ 5,24	1
19	support	97523000	€ 5,24	1
20	fixing set (Ø 34)	95049000	€ 13,92	1
21	lever collar	97548000	€ 3,21	1
22	weight	92500000	€ 35,94	1
23	hose 1,50 m	95507000	€ 70,57	1
24	connection hose 600 mm M10x1	95561000	€ 22,37	1
25	O-ring 8x1,75	97827000	€ 3,21	1
26	connection hose 900 mm M8x0,75 G3/8	96316000	€ 35,94	1
27	O-ring 7x1,5	98422000	€ 3,21	1
28	sealing set	95581000	€ 5,24	1