

AXOR Starck
Single lever basin mixer 100 with lever handle and pop-up waste set
 Surfaces: **Chrome** Article Number: **10001000**



product features

- consists of: single lever basin mixer, waste set
- ComfortZone 100
- projection: 103 mm
- spout height: 95 mm
- spray type: normal spray
- maximum flow rate at 3 bar: 5 l/min
- ceramic cartridge
- temperature limitation adjustable
- suitable for continuous flow water heaters
- pop-up waste set G 1¼
- connection type: G ¾ connections
- connection dimension: DN15

Technology



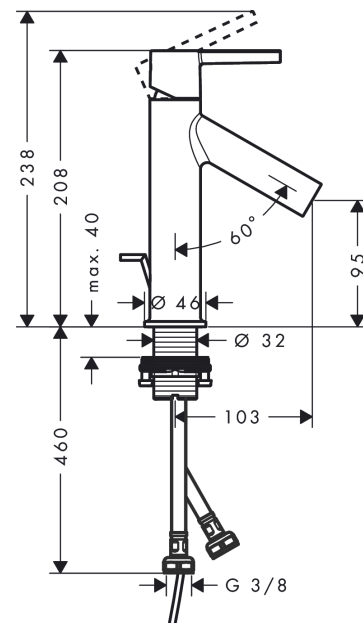
Certificates



Product image



Scale drawing



AXOR Starck
Single lever basin mixer 100 with lever handle and pop-up waste set
Surfaces: **Chrome** Article Number: **10001000**



Flowchart

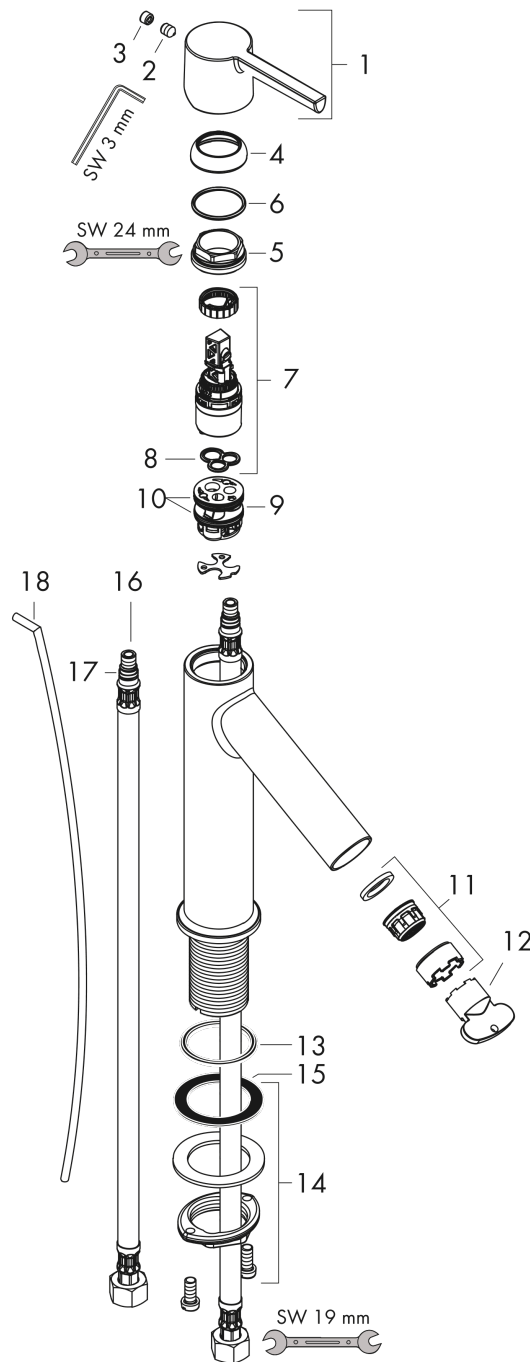


AXOR Starck
Single lever basin mixer 100 with lever handle and pop-up waste set
 Surfaces: **Chrome** Article Number: **10001000**



Exploded Drawing

Year of production: >02/19



AXOR Starck
Single lever basin mixer 100 with lever handle and pop-up waste set
 Surfaces: **Chrome** Article Number: **10001000**



Spare part list

Year of production: >02/19

Pos.		Article Number	Price	PU
1	handle	92385000	€ 44,63	1
2	hollow set screw M6x8	98444000	€ 3,21	1
3	screw cover	96762000	€ 3,21	1
4	flange	98863000	€ 44,63	1
5	nut	95178000	€ 35,94	1
6	O-ring 24x2	98388000	€ 3,21	1
7	cartridge, assy	97685000	€ 57,12	1
8	seal	98865000	€ 28,20	1
9	adapter for cartridge	98866000	€ 28,20	1
10	O-Ring 23x2,5	98183000	€ 3,21	1
11	aerator M24x1 (5 l/min)	92386000	€ 35,94	1
12	special tool	95290000	€ 8,45	1
13	O-ring 34x4	98155000	€ 3,21	1
14	fixing set (Ø 32)	13961000	€ 22,37	1
15	lever collar	97548000	€ 3,21	1
16	connection hose 600 mm M8x0,75 G3/8	96510000	€ 22,37	1
17	O-ring 7x1,5	98422000	€ 3,21	1
18	pull rod	97158000	€ 22,37	1
a	pop up waste	94139000	-	1
b	fixation extension 35 mm	13898000	€ 70,57	1