

TECEdrainline drain "max", DN 70 side drain

Article number: 650002

DU 1: 1 pc.

DU 2: 75 pc.

Description:

Drain for TECEdrainline shower channel to fit to the channel body, drain can be turned 360°, for lateral connection to DN 70 drain pipe, with removable siphon immersion pipe.

- Installation height from bottom edge of drain to upper edge of shower channel = 148 mm
- Sealing water height = 60 mm, to EN 1253 > 50 mm

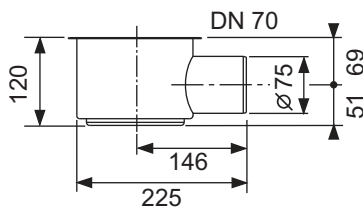
Drainage capacity to EN 1253, with 10 mm/20 mm build-up above grate:

- Design grate "basic": 1.2/1.4 l/s
- Design grate "steel II": 1.2/1.3 l/s
- Tileable channel "plate"/"plate II": 1.1/1.2 l/s

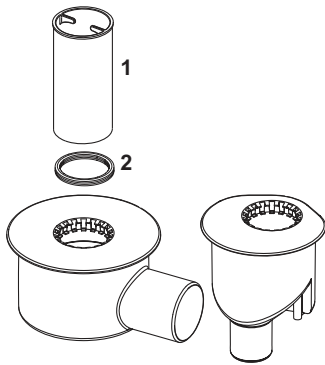
Sales data:

Product name: TECEdrainline drain "max" DN 70 side drain, 1.2 l/s
 Commodity group: 600
 Product group: 3006000080

Dimensional drawings:



Spare parts:



- | | | |
|---|--------|--|
| 1 | 668019 | Immersion pipe (H = 94 mm) for outlet max and vertical |
| 2 | 668032 | Seal between channel and drain with grip claw, from 2015 |