

**TECEdrainline drain "vertical", DN 50**

Article number: 650003

DU 1: 1 pc.

DU 2: 175 pc.

Description:

Vertical drain for the TECEdrainline shower channel to fit to the channel body, drain can be rotated 360°, for vertical connection to DN 50 drain pipe, with removable siphon immersion pipe.

- Minimum installation height from upper edge of channel to lower edge of stirrup = 67 mm
- Sealing water height = 50 mm, to EN 1253
- Core hole required = 130 mm

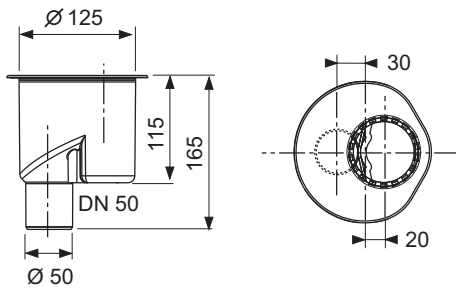
Drainage capacity to EN 1253, with 10/20 mm build-up above grate:

- Design grate "basic": 1.3/1.3 l/s
- Design grate "steel II": 1.3/1.3 l/s
- Tileable channel "plate"/"plate II": 1.2/1.2 l/s

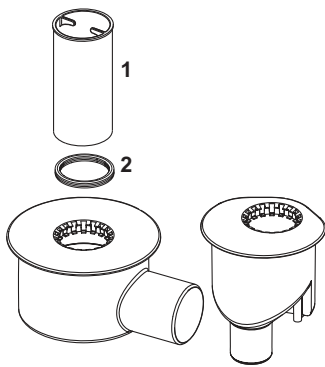
Sales data:

Product name: TECEdrainline drain "vertical" DN 50 side drain, drainage capacity, 1.3 l/s
Commodity group: 600
Product group: 3006000080

Dimensional drawings:



Spare parts:



- | | | |
|---|--------|--|
| 1 | 668019 | Immersion pipe (H = 94 mm) for outlet max and vertical |
| 2 | 668032 | Seal between channel and drain with grip claw, from 2015 |