**TECElux Mini flush plate with electronic touchless actuation**

Article number: 9240960

Colour: White glass

Exhibition samples: Yes

DU 1: 1 pc.

**Description:**

Electronic flush plate with touch-free actuation for TECE standard cisterns (installation depth 13 cm) with front actuation and actuation height of approx. 1 m (centre flush plate). Flat glass actuation including mounting materials and actuation motor for dual-flush. Suitable for flush-mounted installation. Compatible with insert chute for cleaning tablets.

Dimensions (W x H x D): 220 x 150 x 8 mm

## Function of the electronics:

The sensor detects when a person is approaching the toilet, and only illuminates the flush buttons then. The flush actuation is touch-free or by touching the button area. By programming with the TECElux Mini programming remote control (Order No. 9240971), the electronics can be adjusted to individual requirements.

## Programmable functions (with programming remote control):

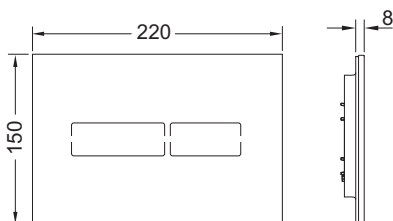
- Sensor recognition field
- Hygiene flush
- Actuation time
- Safety flush
- Display illumination brightness

**Sales data:**

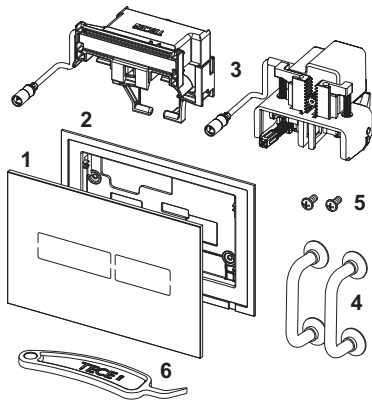
Product name: TECElux Mini, glass, white

Commodity group: 904

Product group: 2009040250

**Dimensional drawings:**

## Spare parts:



- |   |         |   |
|---|---------|---|
| 1 | 9820369 | Cover plate white glass   |
| 2 | 9820397 | Support frame   |
| 3 | 9820284 | Actuation motor   |
|   | 9820493 | Actuation motor for TECE cistern (installation depth 13 and 8 cm) |
| 4 | 9820180 | Bow-type handles  |
| 5 | 9820263 | Fastening screws  |
| 6 | 9820390 | Dismounting and programming key                                   |