

TECEloop toilet flush plate for dual-flush system

Article number: 9240650

Colour: White glass, white buttons

Exhibition samples: Yes

DU 1: 1 pc.

DU 2: 10 pc.

Description:

Flush plate for TECE cisterns, for front or top actuation. Flat glass flush plate with two spring-mounted flush buttons. Suitable for flush-mounted installation in combination with toilet installation frame (e.g. 9240649). Compatible with insert chute for cleaning tablets.

Dimensions (W x H x D): 220 x 150 x 11 mm

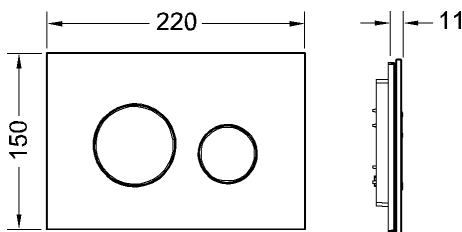
Sales data:

Product name: TECEloop toilet flush plate, white glass, white buttons, dual-flush system

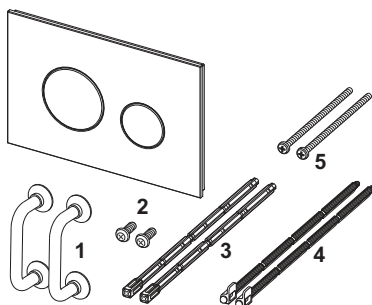
Commodity group: 904

Product group: 2009040050

Dimensional drawings:



Spare parts:



- | | | |
|---|---------|------------------------------|
| 1 | 9820180 | Bow-type handles |
| 2 | 9820263 | Fastening screws |
| 3 | 9820022 | Actuation rods |
| 4 | 9820498 | "Easy fit" actuation rods |
| 5 | 9820497 | "Easy fit" attachment screws |