



TECEprofil toilet module with Uni cistern, installation height 980 mm

Article number: 9300322

DU 1: 1 pc.
DU 2: 10 pc.
DU 3: 60 pc.

Description:

Toilet module including “easy fit” flush plate installation and conduit to connect electronic shower toilets. For attaching to TECEprofil section tubes or as pre-wall or corner modules.

Uni cistern for front or top actuation:

- Safety tank made of impact-resistant plastic, tested to EN 14055
- Cistern fully pre-assembled and sealed.
- Cistern connection with outer thread R 1/2" at the side, compatible with quick adapters
- 10 litre tank volume; 6 litre pre-set standard flush volume, 4.5/7.5/9-litre flush volume can be set at any time; 3-litre partial flush volume for dual-flush system; remaining volume can be used for immediate cleaning flush.
- Insulated against condensation water
- For TECE flush plates and toilet flush handle
- Can be used as a single or dual-flush cistern
- “easy fit” flush plate installation
- Installation tunnel for service opening, can be shortened without tools
- Low-noise hydraulic filling valve, fitting group 1 according to DIN 4109

Module frame:

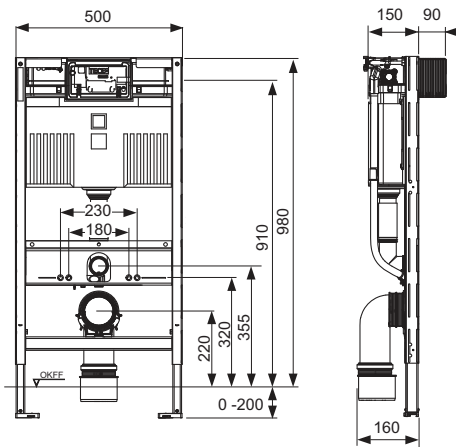
- Self-supporting, powder-coated
- Two M 12 retaining bolts and nuts
- Two depth-adjustable module attachments
- Toilet drain bend DN 90 with joint adapter DN 90/100, made of PP
- Joint adapter also suitable for horizontal installation
- Toilet connection set DN 90
- WC connection box including shell protection and conduit for universal shower WC connection (check position), with junction box and cover for transformer.

A raised ceramic attachment for a sitting height of 48 cm can be added in keeping with German standard DIN 18040 (DIN 18040: Barrier-free construction - Part 1: Publicly accessible buildings and workplaces).

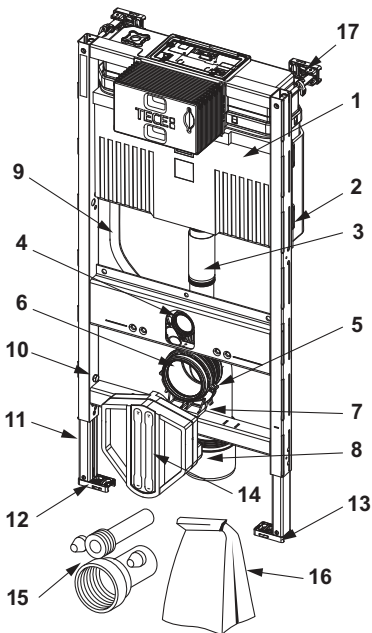
Sales data:

Product name: TECEprofil toilet module with Uni cistern, installation height 980 mm
Commodity group: 905
Product group: 2009050010

Dimensional drawings:



Spare parts:



	9820101	Uni cistern 980 mm
1	9820101	Uni cistern 980 mm
2	9820040	Assembly kit for Uni cistern
3	9820099	Shortened flush pipe, length 185 mm
4	9820015	Flush pipe seal
5	9820134	Toilet drain bend DN 90 (PP)
6	9820139	Seal for toilet drain bend/adaptor
7	9820348	Toilet drain bend holder complete, mounting on cross-beam at bottom (from 04/2017)
8	9820136	Adapter DN 90/DN 100 (PP)
9	9820569	Attachment clips and conduit
10	9820447	Foot brake with steel spring
11	9820335	C-section for module foot
12	9820332	Module foot with toggle left
13	9820333	Module foot with toggle right
14	9820568	WC connection box
15	9820057	Connection set DN 90 for toilet
16	9820043	By-pack for toilet module (mounting material, etc.)
17	9380014	Wall attachment with quick closure